



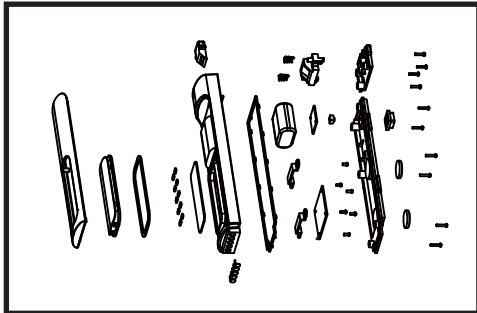
Model:

# 150SL

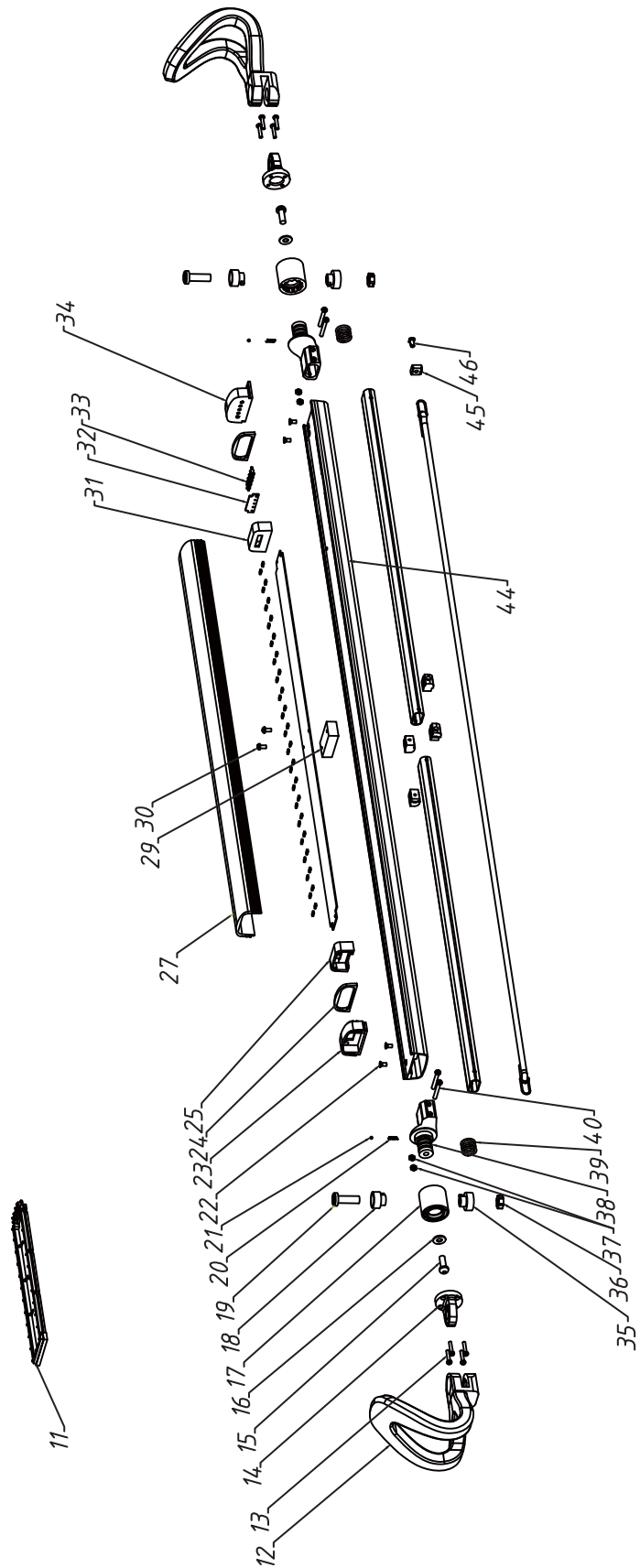
Product Type:

## RECHARGEABLE UNDERHOOD LIGHT WITH DETACHABLE HANDHELD LIGHT

### PARTS BREAKDOWN



47





Model: **150SL**

Product Type:  
**RECHARGEABLE UNDERHOOD LIGHT  
WITH DETACHABLE HANDHELD LIGHT**

Call 1.800.221.9705 for questions concerning performance of the product or other inquiries.

### PARTS LIST

<i>Index</i>	<i>Part No.</i>	<i>Description</i>	<i>Qty</i>
11	150SL-11	Battery Case End Cover	1
12	150SL-12	Grab	2
13	150SL-13	Screw	8
14	150SL-14	Rotating Pieces	2
15	150SL-15	Self-tapping Screw	2
16	150SL-16	Gasket	2
17	150SL-17	Rotating Base	2
18	150SL-18	Screw Sleeve	2
19	150SL-19	Hexagonal Screw	2
20	150SL-20	Spring of Steel Ball	2
21	150SL-21	Steel Ball	2
22	150SL-22	Countersunk Head Screw	4
23	150SL-23	Transparent Tube Plug 2	1
24	150SL-24	Transparent Tube Seal Ring	2
25	150SL-25	Board Fixture Base	2
27	150SL-27	Transparent Tube	1

<i>Index</i>	<i>Part No.</i>	<i>Description</i>	<i>Qty</i>
29	150SL-29	Fixture Base in Middle	1
30	150SL-30	Screw	1
31	150SL-31	Board Fixture Base	2
32	150SL-32	Thimble Board	2
33	150SL-33	Thimble	1
34	150SL-34	Transparent Tube Plug 1	5
35	150SL-35	Nut Cap	1
36	150SL-36	Nut	2
37	150SL-37	Nut	2
38	150SL-38	Extendable Tube Fixture Base	4
39	150SL-39	Seal Ring	2
40	150SL-40	Screw	6
44	150SL-44	Light Shelf	4
45	150SL-45	Extendable Tube Plastic Plug	1
46	150SL-46	Aluminum Pin	1
47	150SL1	250 Lumen Handheld Light for 150SL	1