



**Astro Pneumatic
Tool Company**

372 Old US Highway 52 South
Mount Airy, NC 27030

Model:

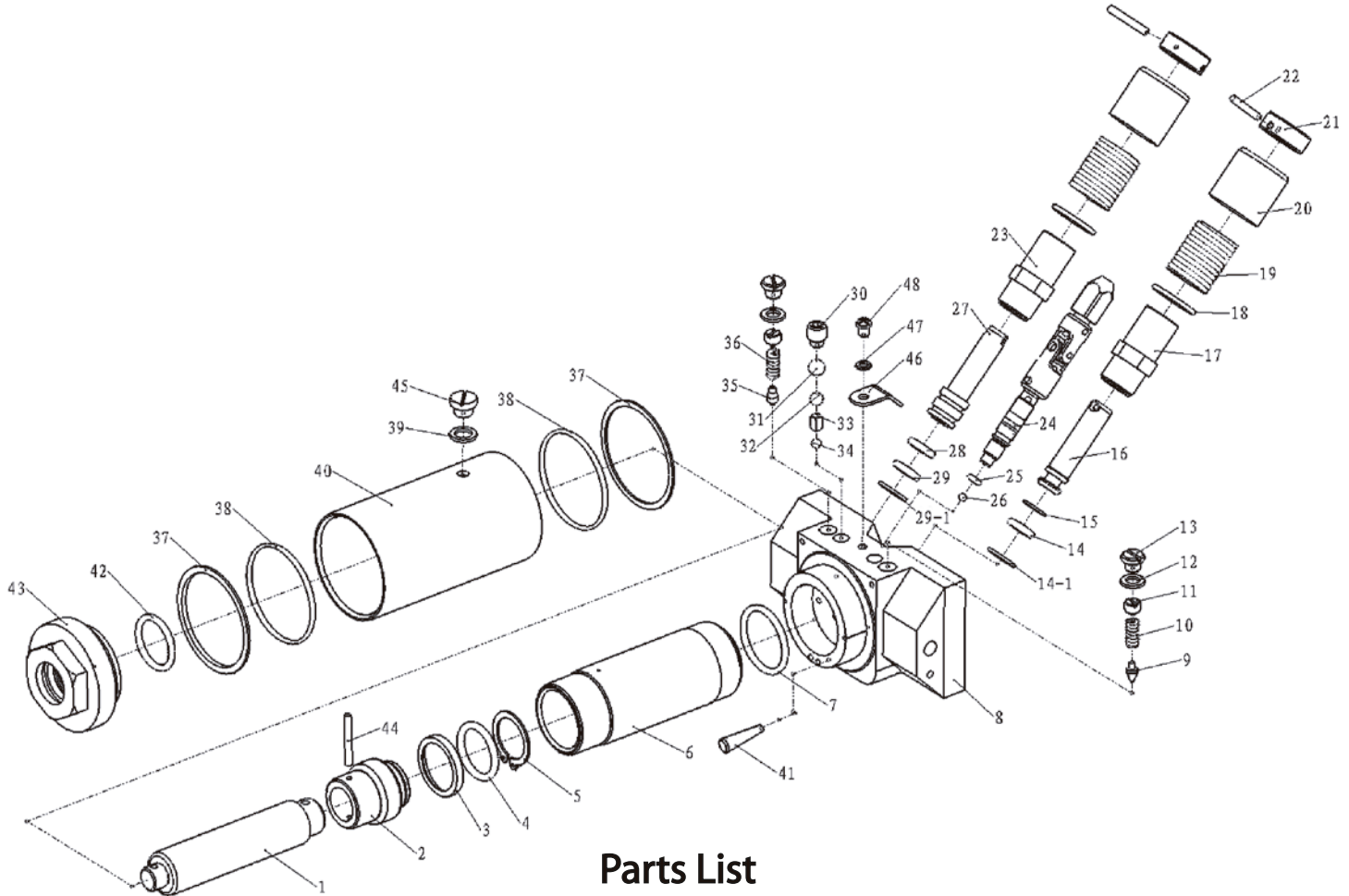
250DP

Product Type:

**2-1/2 TON DOUBLE PLUNGER
HYDRAULIC SERVICE JACK**

PARTS BREAKDOWN

Call 1.800.221.9705 for questions concerning performance of the product or other inquiries.



Parts List

Index No.	Part No.	Description	Qty	Index No.	Part No.	Description	Qty	Index No.	Part No.	Description	Qty
1	250DP-P01	Ram	1	17	250DP-P17	Pump Case	11	33	250DP-P33	Separator	2
2	250DP-P02	Ram Header	1	18	250DP-P18	Pump Inner Case	2	34	250DP-P34	Ball 5.5	2
3	250DP-P03	O-ring Returner	1	19	250DP-P19	Press Spring	2	35	250DP-P35	Safety Valve	1
4	250DP-P04	O-ring	1	20	250DP-P20	Pump Outer Case	2	36	250DP-P36	Relief Valve Spring	1
5	250DP-P05	Retaining Ring	1	21	250DP-P21	Pump Cover	2	37	250DP-P37	Washer	2
6	250DP-P06	Cylinder	1	22	250DP-P22	Pin 4x30	2	38	250DP-P38	O-ring	2
7	250DP-P07	O-ring	1	23	250DP-P23	Pump Case	1	39	250DP-P39	Seal Washer	1
8	250DP-P08	Valve Base	1	24	250DP-P24	Release Assembly	1	40	250DP-P40	Cylinder Outer Case	1
9	250DP-P09	Safety Valve	1	25	250DP-P25	O-ring	1	41	250DP-P41	Oil Strainer	2
10	250DP-P10	Relief Valve Spring	1	26	250DP-P26	Ball 6	1	42	250DP-P42	O-ring	1
11	250DP-P11	Regulate Balt	2	27	250DP-P27	Pump Core	1	43	250DP-P43	Tank Nut	1
12	250DP-P12	Seal Washer	2	28	250DP-P28	O-ring	1	44	250DP-P44	Pin 4x35	1
13	250DP-P13	Seal Bolt	2	29	250DP-P29	O-ring	1	45	250DP-P45	Seal Bolt	1
14	250DP-P14	O-ring	1	29-1	250DP-P29-1	Seal Washer	1	46	250DP-P46	Screw	1
14-1	250DP-P14-1	Seal Washer	1	30	250DP-P30	High-pressure Bolt	2	47	250DP-P47	Spring Washer	1
15	250DP-P15	Sealing Washer	1	31	250DP-P31	Ball 10	2	48	250DP-P48	Locker	1
16	250DP-P16	Pump Core	1	32	250DP-P32	Ball 8	2				

*Small Plunger Assembly includes part numbers P14, P14-1, P15, P16, P17, P18, P19, P20, P21, and P22

*Large Plunger Assembly includes part numbers P18, P19, P20, P21, P22, P23, P27, P28, P29, and P29-1

*250DP-RK Repair Kit is also available for purchase which includes numbers P03, P04, P07, P12, P14, P15, P25, P28, P29, P37, P38, P39, P42



**Astro Pneumatic
Tool Company**

372 Old US Highway 52 South
Mount Airy, NC 27030

Model:

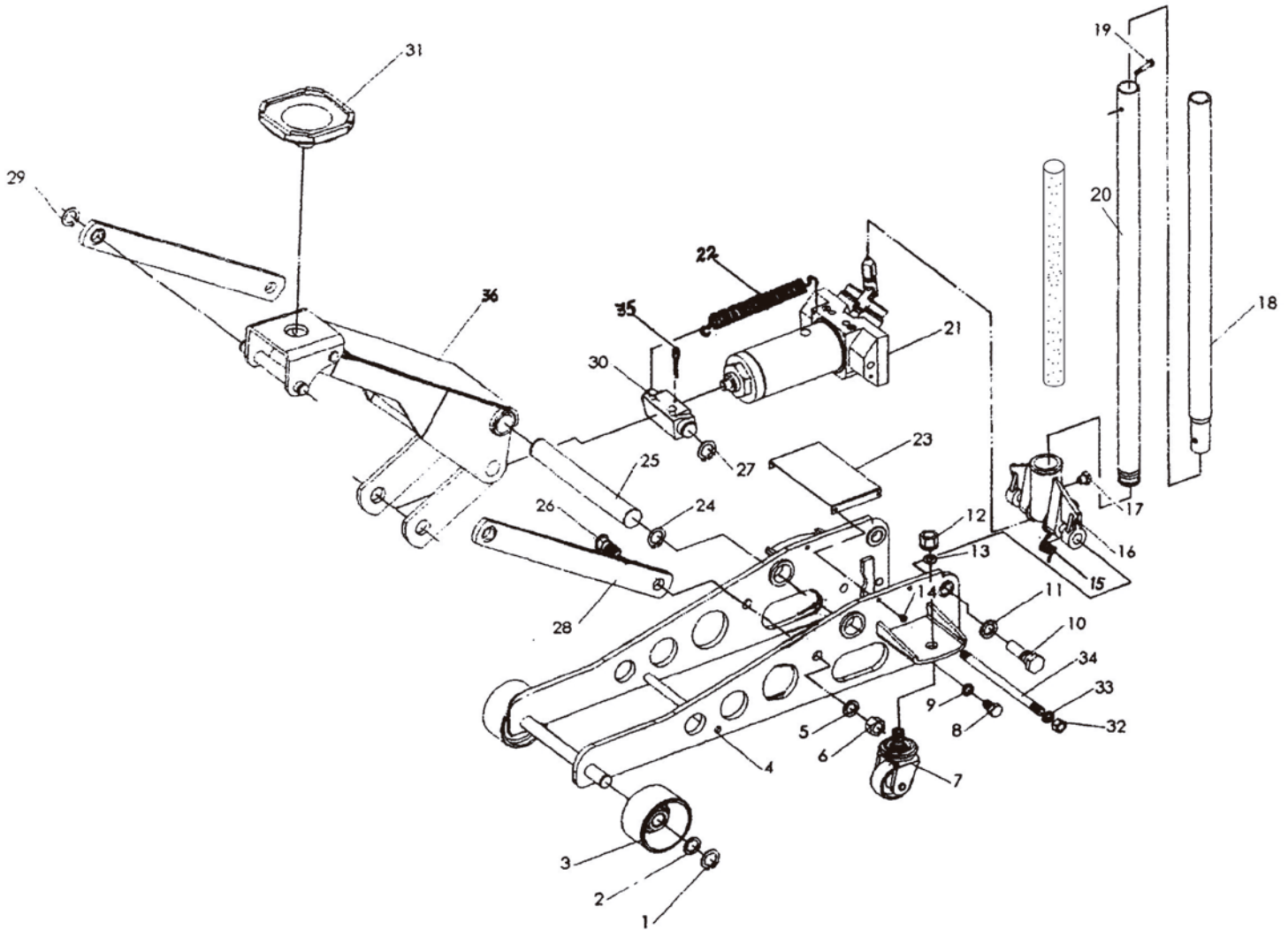
250DP

Product Type:

**2-1/2 TON DOUBLE PLUNGER
HYDRAULIC SERVICE JACK**

PARTS BREAKDOWN

Call 1.800.221.9705 for questions concerning performance of the product or other inquiries.



Parts List

Index No.	Part No.	Description	Qty
1	250DP-01	Retaining Ring	2
2	250DP-02	Washer	2
3	250DP-03	Wheel	2
4	250DP-04	Side Plate Assembly	1
5	250DP-05	Washer 16	2
6	250DP-06	Hex Nut M16	2
7	250DP-07	Caster Assembly	2
8	250DP-08	Hex Bolt M12 x 20	2
9	250DP-09	Spring Washer	2
10	250DP-10	Bolt	2
11	250DP-11	Spring Washer	2
12	250DP-12	Nut M16	2

Index No.	Part No.	Description	Qty
13	250DP-13	Spring Washer	2
14	250DP-14	Screws	4
15	250DP-15	Torsion Spring	2
16	250DP-16	Handle Socket	1
17	250DP-17	bolt	1
18	250DP-18	Handle Upper	1
19	250DP-19	Hex Bolt M6 x 35	1
20	250DP-20	Handle Lower	1
21	250DP-21	Power Unit Assembly	1
22	250DP-22	Spring	2
23	250DP-23	Inspection Plate	1
24	250DP-24	Retaining Ring	2

Index No.	Part No.	Description	Qty
25	250DP-25	Shaft Arm	1
26	250DP-26	Bolt	2
27	250DP-27	Retaining Ring	2
28	250DP-28	Long Linkage	2
29	250DP-29	Retaining Ring	2
30	250DP-30	Block Linkage	1
31	250DP-31	Saddle	1
32	250DP-32	Nut M12	2
33	250DP-33	Washer 12	2
34	250DP-34	Pull rod	1
35	250DP-35	Split Pin 4 x 45	1
36	250DP-36	Lift Arm Assembly	1