



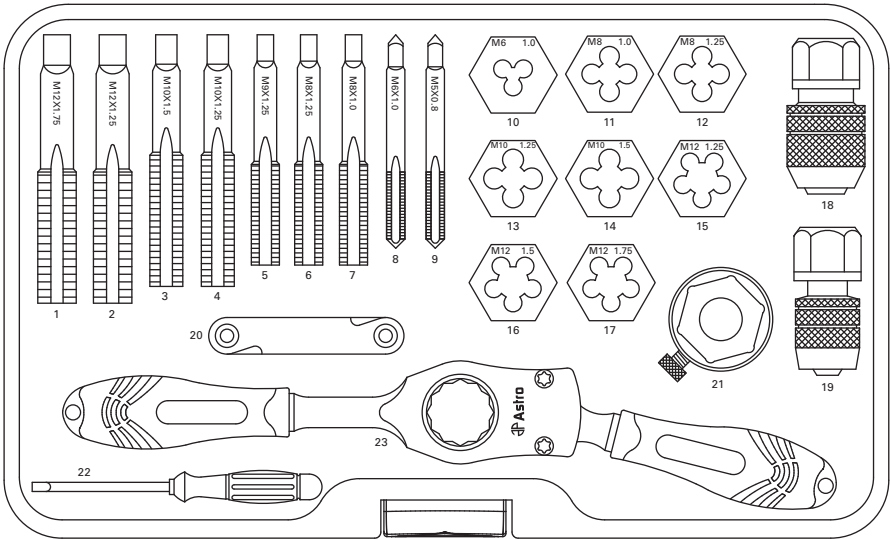
**Astro Pneumatic  
Tool Company**  
372 Old US Highway 52 South  
Mount Airy, NC 27030

Model:  
**7582**

Product Type:  
**AUTOMOTIVE TAP & DIE  
SET - METRIC**

## PARTS BREAKDOWN

Call 1.800.221.9705 for questions concerning performance of the product or other inquiries.



### Parts List

Index	Part No.	Description	Qty	Index	Part No.	Description	Qty
1	7581-12175T	M12x1.75 Tap	1	13	7582-10125D	M10x1.25 Die	1
2	7581-12125T	M12x1.25 Tap	1	14	7582-1015D	M10x1.5 Die	1
3	7581-1015T	M10x1.5 Tap	1	15	7582-12125D	M12x1.25 Die	1
4	7581-10125T	M10x1.25 Tap	1	16	7582-1215D	M12x1.5 Die	1
5	7581-9125T	M9x1.25 Tap	1	17	7582-12175D	M12x1.75 Die	1
6	7581-8125T	M8x1.25 Tap	1	18	7580-STH	Small Holder	1
7	7581-810T	M8x1.0 Tap	1	19	7580-LTH	Large Holder	1
8	7581-610T	M6x1.0 Tap	1	20	7581-SPG	Screw Pitch Gauge(Metric)	1
9	7581-508T	M5x0.8 Tap	1	21	7582-DH	Die Holder	1
10	7582-610D	M6x1.0 Die	1	22	7582-SD	Screw Driver	1
11	7582-810D	M8x1.0 Die	1	23	75801	72 tooth Ratcheting Wrench	1
12	7582-8125D	M8x1.25 Die	1				