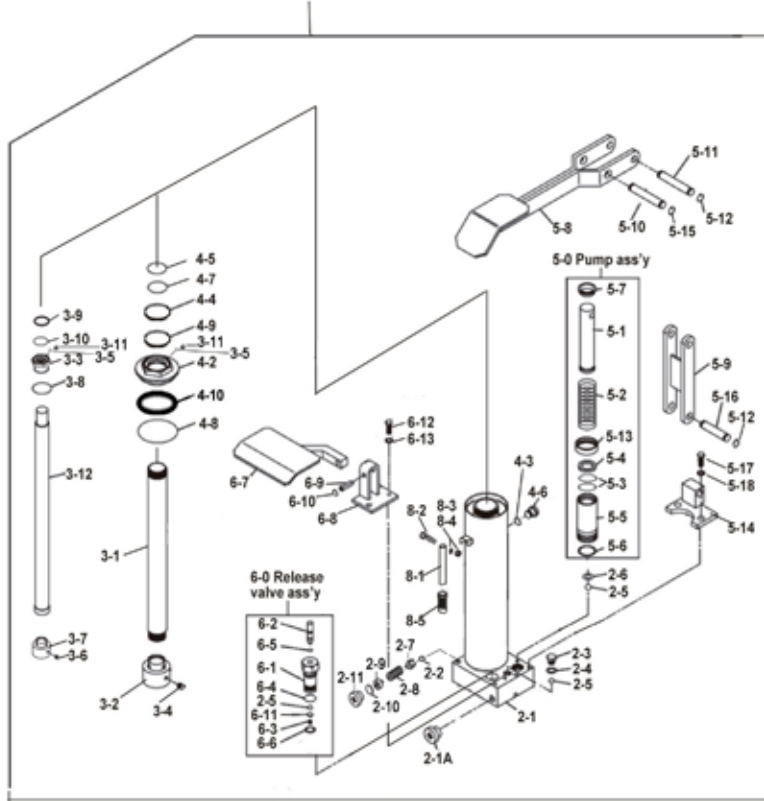


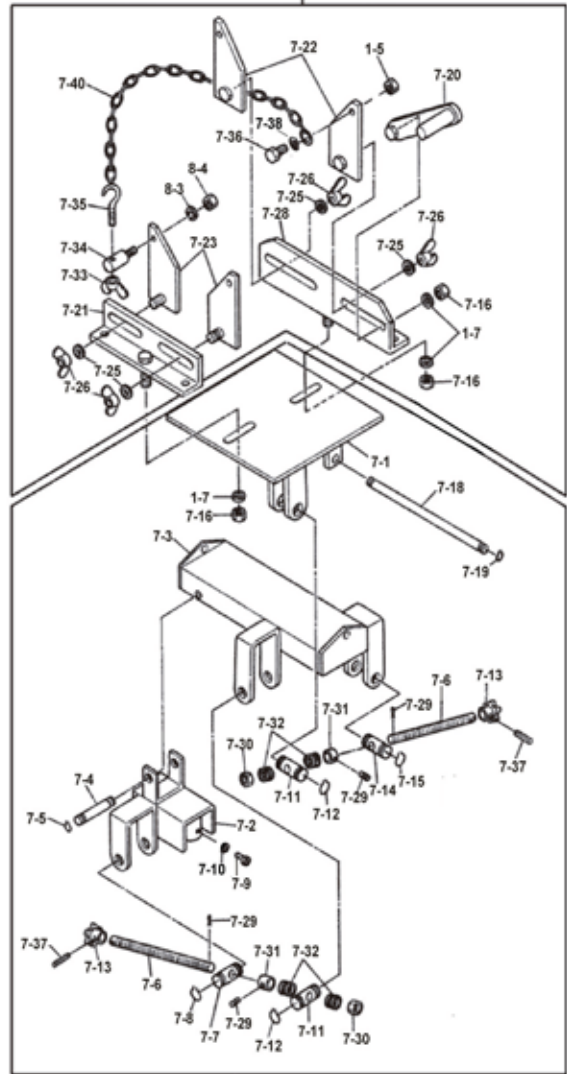
**PARTS BREAKDOWN**

Call 1.800.221.9705 for questions concerning performance of the product or other inquiries.

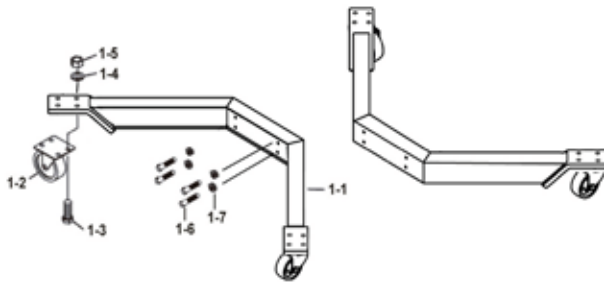
50-0- Hydraulic Power Unit Assembly



7-0A -Saddle Head Attachment Assembly



7-0P Saddle head plate ass'y





# Astro Pneumatic Tool Company

372 Old US Highway 52 South  
Mount Airy, NC 27030

Model:

# 500H

Product Type:

## 1/2 TON CAPACITY TELESCOPING TRANSMISSION JACK

Call 1.800.221.9705 for questions concerning performance of the product or other inquiries.

### Parts List

Index No.	Part No.	Description	Qty
1-1	500H-1-1	Leg	2
1-2	500H-1-2	Swivel Caster	4
1-3	500H-1-3	Bolt	16
1-4	500H-1-4	Spring Washer	16
1-5	500H-1-5	Nut	16
1-6	500H-1-6	Bolt	8
1-7	500H-1-7	Spring Washer	11
2-1	500H-2-1	Cylinder Assembly	1
2-1A	500H-2-1A	Blind Bolt	1
2-2	500H-2-2	Steel Ball	1
2-3	500H-2-3	Blind Bolt	1
2-4	500H-2-4	Copper Packing	1
2-5	500H-2-5	Steel Ball	3
2-6	500H-2-6	Washer	1
2-7	500H-2-7	Ball Seat	1
2-8	500H-2-8	Spring	1
2-9	500H-2-9	Safety Valve Bolt	1
2-10	500H-2-10	Seal	1
2-11	500H-2-11	Bolt	1
3-1	500H-3-1	Piston Rod (Large)	1
3-2	500H-3-2	Piston (Large)	1
3-3	500H-3-3	Grand Nut	1
3-4	500H-3-4	Spring Pin	1
3-5	500H-3-5	Steel Ball	2
3-6	500H-3-6	Spring Pin	1
3-7	500H-3-7	Piston (Small)	1
3-8*	500H-3-8	O-ring	1
3-9*	500H-3-9	Dust Seal	1
3-10*	500H-3-10	Extra Wearing	1
3-11	500H-3-11	Set Screw	2
3-12	500H-3-12	Piston Rod (Small)	1
4-2	500H-4-2	Tank Nut	1
4-3	500H-4-3	Seal	1
4-4*	500H-4-4	UN Seal Ring	1
4-5*	500H-4-5	Dust Seal	1
4-6	500H-4-6	Oil Plug	1
4-7*	500H-4-7	Extra Wearing	1
4-8*	500H-4-8	O-ring	1
4-9*	500H-4-9	O-ring	1
4-10*	500H-4-10	Packing	1
5-0	500H-5-0	Pump Assembly	1
5-1	500H-5-1	Plunger	1
5-2	500H-5-2	Spring	1
5-3*	500H-5-3	O-ring	2
5-4*	500H-5-4	Dust Seal	1
5-5	500H-5-5	Pump Cylinder	1
5-6*	500H-5-6	Copper Packing	1
5-7	500H-5-7	Spring Retainer	1
5-8	500H-5-8	Pump Foot Pedal	1
5-9	500H-5-9	Link	1
5-10	500H-5-10	Pin A	1
5-11	500H-5-11	Pin B	1
5-12	500H-5-12	Spring Retainer B	4
5-13	500H-5-13	Link Ring	1
5-14	500H-5-14	Link Bracket	1
5-15	500H-5-15	Spring Retainer A	2
5-16	500H-5-16	Pin C	1
5-17	500H-5-17	Bolt	2
5-18	500H-5-18	Spring Washer	2
6-0	500H-6-0	Release Valve Assembly	1
6-1	500H-6-1	Release Valve Body	1
6-2	500H-6-2	Release Valve Rod	1
6-3	500H-6-3	Spring	1
6-4*	500H-6-4	O-ring	1

Index No.	Part No.	Description	Qty
6-5*	500H-6-5	O-ring	1
6-6*	500H-6-6	Copper Packing	1
6-7	500H-6-7	Release Foot Pedal	1
6-8	500H-6-8	Pedal Bracket	1
6-9	500H-6-9	Pin	1
6-10	500H-6-10	Retaining Ring	2
6-11	500H-6-11	Spring Retainer	1
6-12	500H-6-12	Bolt	2
6-13	500H-6-13	Spring Washer	2
7-0A	500H-7-0A	Saddle Head Attachment Assembly	1
7-0P	500H-7-0P	Saddle Head Plate Assembly	1
7-1	500H-7-1	Saddle Head Plate	1
7-2	500H-7-2	Bracket I	1
7-3	500H-7-3	Bracket II	1
7-4	500H-7-4	Connecting Pin	1
7-5	500H-7-5	Snap Ring	2
7-6	500H-7-6	Screw Rod	2
7-7	500H-7-7	Shaft	1
7-8	500H-7-8	Snap Ring	2
7-9	500H-7-9	Bolt	1
7-10	500H-7-10	Spring Washer	1
7-11	500H-7-11	Shaft	2
7-12	500H-7-12	Snap Ring	4
7-13	500H-7-13	Grip	2
7-14	500H-7-14	Shaft	1
7-15	500H-7-15	Snap Ring	2
7-16	500H-7-16	Nut	3
7-18	500H-7-18	Connecting Pin	1
7-19	500H-7-19	Sanp Ring	2
7-20	500H-7-20	Saddle Head Attachment	1
7-21	500H-7-21	Moveable Plate	1
7-22	500H-7-22	Fixed Plate	2
7-23	500H-7-23	Fixed Plate	2
7-25	500H-7-25	Flat Washer	7
7-26	500H-7-26	Wing Nut	4
7-28	500H-7-28	Moveable Plate	1
7-29	500H-7-29	Set Screw	4
7-30	500H-7-30	Nut	2
7-31	500H-7-31	Nut	2
7-32	500H-7-32	Thrust Bearing	4
7-33	500H-7-33	Wing Nut	2
7-34	500H-7-34	Connecting Bolt	2
7-35	500H-7-35	Chain Hook	2
7-36	500H-7-36	Bolt	2
7-37	500H-7-37	Spring Pin	2
7-38	500H-7-38	Washer	2
7-40	500H-7-40	Chain	2
8-1	500H-8-1	Handle	1
8-2	500H-8-2	Bolt	1
8-3	500H-8-3	Washer	3
8-4	500H-8-4	Nut	3
8-5	500H-8-5	Grip	1
9-0	500H-9-0	Repair Kit	1
50-0	500H-50-0	Hydraulic Power Unit Assembly	1

Items marked with an (\*) are available in the Repair Kit