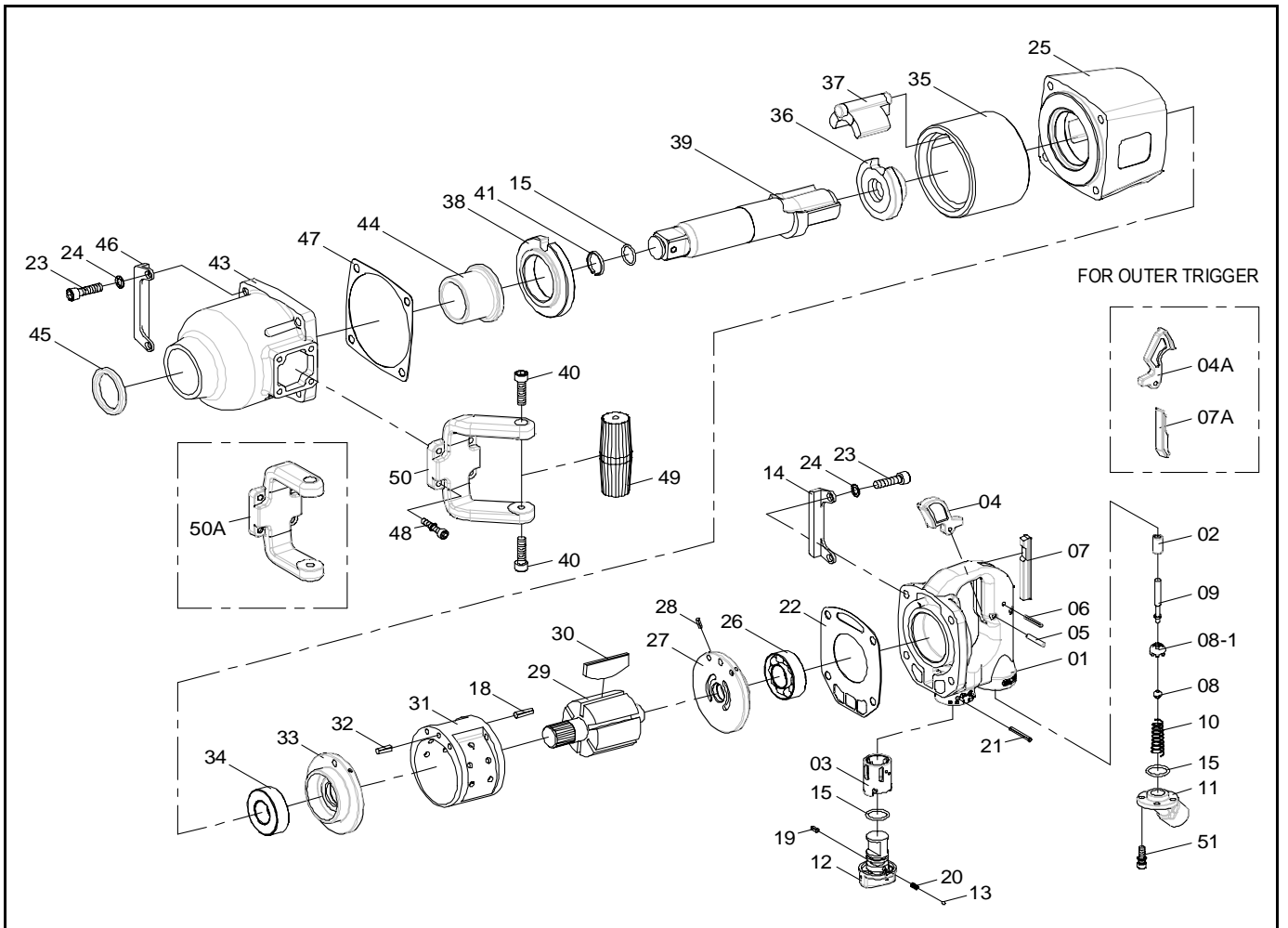




1" DR. SUPER DUTY IMPACT WRENCH

PINLESS IMPACT MECHANISM



INDEX NO.	DESCRIPTION	Q'TY	INDEX NO.	DESCRIPTION	Q'TY
4K-01	TRIGGER HANDLE ASSEMBLY	1	4K-29	ROTOR	1
4K-02	PLUNGER BUSHING	1	4K-30	VANE	6
4K-03	REVERSE VALVE BUSHING	1	4K-31	CYLINDER ASSEMBLY	1
4K-04	INSIDE TRIGGER	1	4K-32	SPRIN PIN	1
4K-05	PIN	1	4K-33	FRONT END PLATE	1
4K-06	SPRING PIN	1	4K-34	BEARING	1
4K-07	SLOT COVER	1	4K-35	HAMMER FRAME	1
4K-08	VALVE	1	4K-36	HAMMER CAM	1
4K-08-1	THROTTLE VALVE	1	4K-37	HAMMER	1
4K-09	THROTTLE VALVE PLUNGER	1	4K-38	SIDE PLATE	1
4K-10	THROTTLE VALVE SPRING	1	4K-39	ANVIL	1
4K-11	INLET BUSHING	1	4K-40	SCREW	2
4K-12	REVERSE VALVE KNOB	1	4K-41	RETAINER RING	1
4K-13	BALL	1	4K-43	HAMMER CASE ASSEMBLY	1
4K-14	PROTECTIVE RUBBER BOOT	1	4K-44	HAMMER CASE BUSHING	1
4K-15	O-RING	3	4K-45	OIL SEAL	1
4K-18	SPRING PIN	1	4K-46	PROTECTIVE RUBBER BOOT	1
4K-19	SPRING PIN	1	4K-47	HAMMER CASE GASKET	1
4K-20	SPRING	1	4K-48	DEAD HANDLE CAP SCREW	4
4K-21	SPRING PIN	1	4K-49	HANDLE GRIP	1
4K-22	HANDLE GASKET	1	4K-50	DEAD HANDLE	1
4K-23	HANDLE CAP SCREW	8	4K-51	SCREW LOCK WASHER	4
4K-24	LOCK WASHER	8	OPTIONAL		
4K-25	MOTOR HOUSING	1	4K-04A	OUTSIDE TRIGGER	1
4K-26	BEARING	1	4K-07A	SLOT COVER	1
4K-27	REAR END PLATE ASSEMBLY	1	4K-50A	DEAD HANDLE	1
4K-28	SPRING PIN	1			