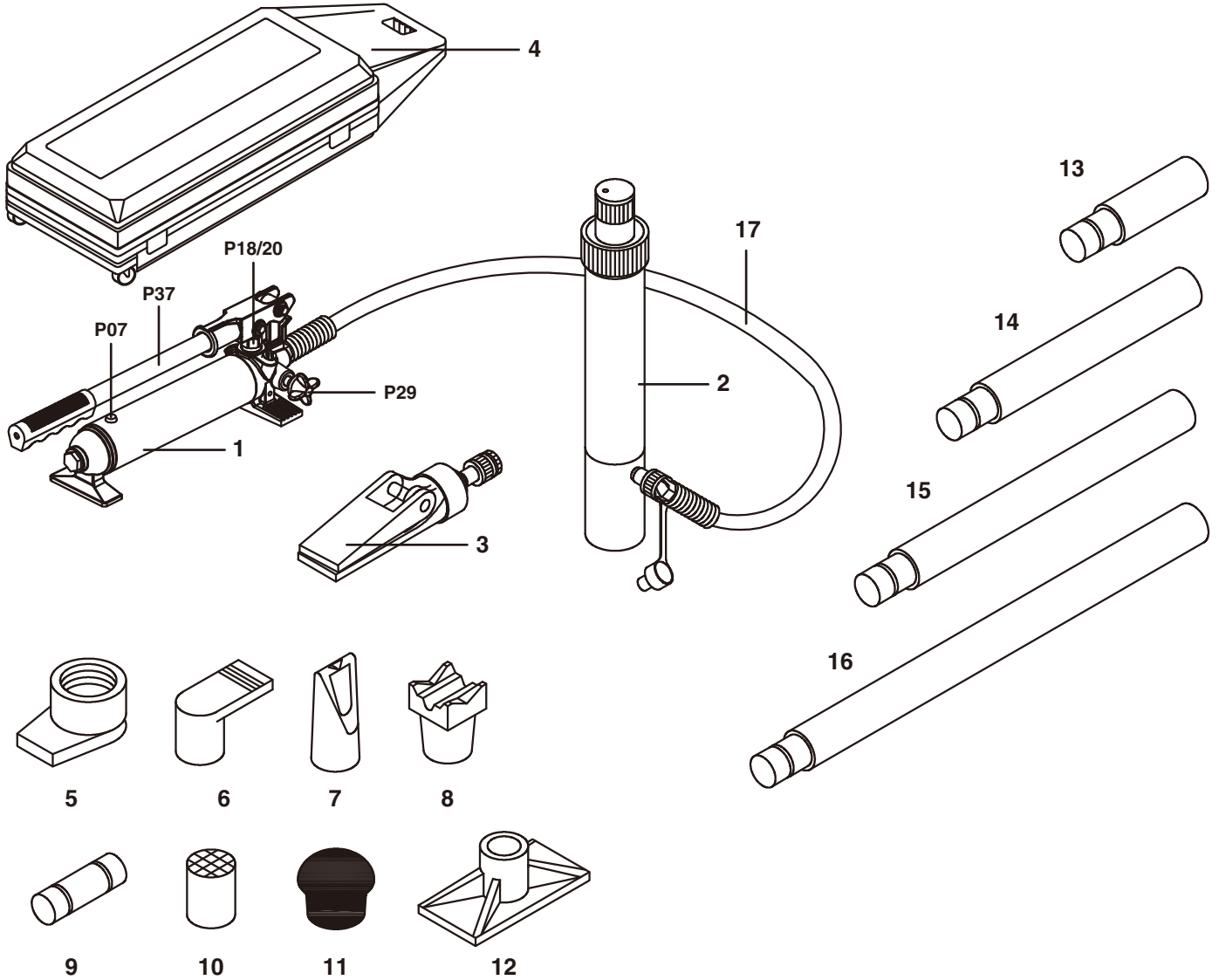


PARTS BREAKDOWN

Call 1.800.221.9705 for questions concerning performance of the product or other inquiries.

Power Kit



Parts List

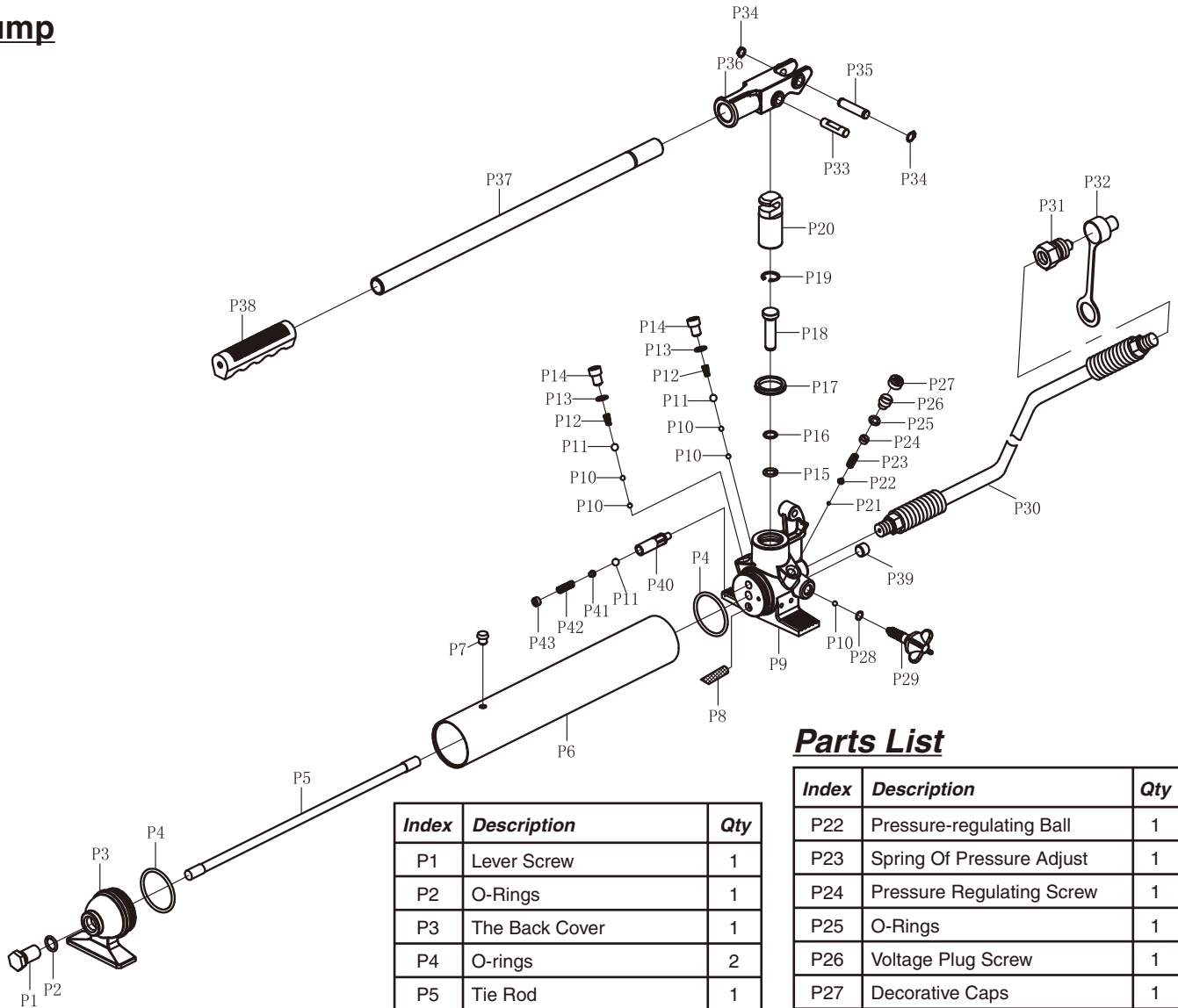
Index	Part No.	Description	Qty
1	108A-01	Hydraulic Hand Pump	1
2	108A-02	Ram	1
3	108A-03	Spreader	1
4	108A-04	Storage Case	1
5	108A-05	Spreader Ram Toe	1
6	108A-06	Spreader Plunger Toe	1
7	108A-07	Wedge Head	1
8	108A-08	90° V-Base	1
9	108A-09	Male Connector	1

Index	Part No.	Description	Qty
10	108A-10	Serrated Saddle	1
11	108A-11	Rubber Head	1
12	108A-12	FLAT Base	1
13	108A-13	4-3/8" Extention Tube	1
14	108A-14	10-3/8" Extention Tube	1
15	108A-15	14-3/8" Extention Tube	1
16	108A-16	20.5" Extention Tube	1
17	108A-17	Hose	1

PARTS BREAKDOWN

Call 1.800.221.9705 for questions concerning performance of the product or other inquiries.

Pump



Parts List

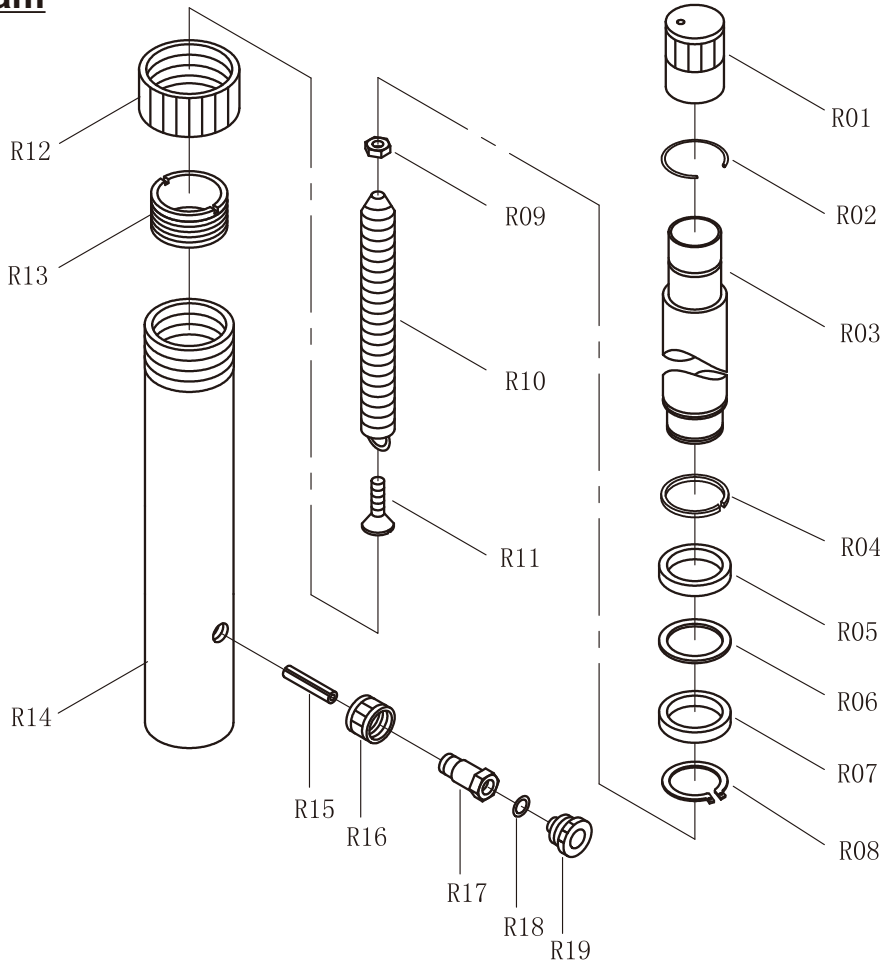
Index	Description	Qty
P1	Lever Screw	1
P2	O-Rings	1
P3	The Back Cover	1
P4	O-rings	2
P5	Tie Rod	1
P6	Oil Barrel	1
P7	Quad Plug	1
P8	Oil Filter Screen	1
P9	Pump Body	1
P10	Steel Ball	5
P11	Steel Ball	3
P12	Oil Springs	1
P13	Copper Pad	1
P14	The Oil Plug Screw	1
P15	O-Rings	1
P16	Small Pump PTFE Gasket	1
P17	Imports U-Ring	1
P18	Small Pump	1
P19	Kong Yong Ring	1
P20	Large Pump	1
P21	Steel Ball	1

Index	Description	Qty
P22	Pressure-regulating Ball	1
P23	Spring Of Pressure Adjust	1
P24	Pressure Regulating Screw	1
P25	O-Rings	1
P26	Voltage Plug Screw	1
P27	Decorative Caps	1
P28	O-Rings	1
P29	Drain Valve Assembly	1
P30	High Pressure Hose-1.5m	1
P31	Inch Hose Assemblies	1
P32	Tubing Shield	1
P33	Pump Pin	1
P34	Shaft Retaining Ring	2
P35	The Handle Pin	1
P36	Handle	1
P37	Handle	1
P38	Handle Sets	1
P39	Npt1/4 "-18 Hex Plug Screw	1
P40	Low Pressure Regulator	1
P41	Low Pressure Ball	1
P42	Low Pressure Regulator Spring	1
P43	Low Pressure Regulating Screw	1

Call 1.800.221.9705 for questions concerning performance of the product or other inquiries.

PARTS BREAKDOWN

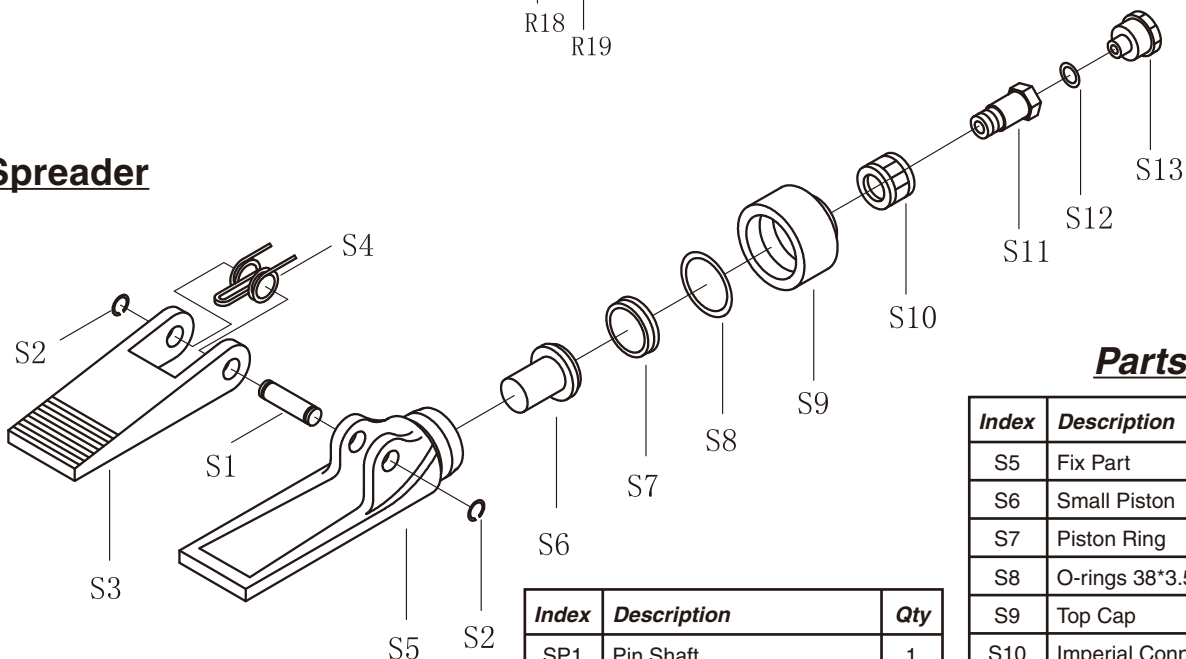
Ram



Parts List

Index	Description	Qty
RO1	Piston Rod Protection	1
R02	Connecting Shaft Collars	1
R03	Piston Rod	1
R04	Wire Spacing Ring	1
R05	Washer	1
R06	PTFE Gasket	1
R07	Imports U-Ring	1
R08	Axial Spring Collar	1
R09	Nut	1
R10	Tension Spring	1
R11	Slotted Countersunk Head Screws	1
R12	Cylinder Sleeve	1
R13	Limit Circle	1
R14	Cylinder Components	1
R15	Elastic Straight Pins	1
R16	Imperial Connector Nut	1
R17	Cylinder Connectors	1
R18	O-rings 9.4*2.4	1
R19	Imperial Dust Caps	1

Spreader



Parts List

Index	Description	Qty
SP1	Pin Shaft	1
SP2	Shaft Retaining Ring	2
SP3	Flexible Part	1
SP4	Spring	1

Index	Description	Qty
S5	Fix Part	1
S6	Small Piston	1
S7	Piston Ring	1
S8	O-rings 38*3.5	1
S9	Top Cap	1
S10	Imperial Connector Nut	1
S11	Cylinder Connectors	1
S12	O-rings 9.4*2.4	1
S13	Imperial Dust Cover	1