



Model:

# 7346

Product Type:

**15L (4 GAL) PROFESSIONAL MANUAL/PNEUMATIC  
FLUID EXTRACTOR WITH GAUGE**



## WARNING



Study, understand and follow all instructions provided with this product. Read these instructions carefully before installing, operating, servicing or repairing this tool. Keep these instructions in a safe accessible place.

### INTENDED USE OF THE TOOL

The 7346 is used to extract non volatile fluids from vehicle engines and transmissions. Do not use this tool outside of the designed intent. Never modify the tool for any other purpose or use.



## WARNING



### Caution: To help prevent personal injury

- Use of this product can expose you to chemicals including ethylene glycol, gasoline vapors and engine exhaust, which are known to the State of California to cause cancer, birth defects, or reproductive harm. For more information, visit [www.P65Warnings.ca.gov](http://www.P65Warnings.ca.gov). Always wear ANSI approved safety equipment, safety glasses and clothing when using this product. Study, understand, and follow all instructions provided with this product. Failure to read and follow all warnings and operating instructions may result in damages and serious injury or death.
- Always wear ANSI approved goggles when using this product. (Users and By standers).
- Never use this tool for any application other than for which it was designed.
- Only use accessories designed for this tool.
- Never alter or modify this tool in any way.
- Improper operation and/or maintenance of the tool, modification of the tool, or use of the tool with accessories not designed for it could result in serious injury or death.
- Always select the correct accessories of the correct size and design for the job that you are attempting to perform.
- Always work in a clean, safe, well-lit, organized and adequately equipped area.
- Do not begin repairs without assurance that vehicle is in secure position, and will not move during repair.

### BEFORE USE

When unpacking, check the parts diagram and part number listing on page 5 to make sure all parts are included. If any parts are missing or damaged, please call your distributor.

**DO NOT DISCARD – GIVE TO USER**



**Astro Pneumatic  
Tool Company**

[www.astrotools.com](http://www.astrotools.com)

### 1 YEAR LIMITED WARRANTY

- Astro Pneumatic Tool Co. warrants our products to the original user against defective material or workmanship for a period of 1 year (except where noted on our price schedule) from the date of 1st use. Astro reserves the right to determine whether the product failed because of defective material, workmanship or other causes and to charge back for missing parts. Astro Pneumatic Tool Co., at its discretion, will repair products covered under this warranty free of charge. The distributor should direct the original user to return the product (with the exceptions listed below) with the distributor's name, address, adequate proof of date of purchase or a copy of warranty card, and a short note explaining the problem. **Failures caused by accident, alteration, or misuse are not covered by this warranty.**
- Astro Pneumatic Tool Co. or its authorized service representatives must perform all warranty repairs. Any repair to the product by unauthorized service representatives voids this warranty. The rights under this warranty are limited to the original user and may not be transferred to subsequent owners.
- This warranty is in lieu of all other warranties, expressed or implied, including warranties of merchantability and fitness for a particular purpose. Some states do not allow the exclusion of limitations of incidental or consequential damages so the above limitations may not apply to you.



**PLEASE DO NOT RETURN ANY PRODUCT WITHOUT CALLING  
1-800-221-9705 FOR INSTRUCTIONS**



### PRODUCT INFORMATION

- Multi-use air powered or manual use extractor designed to extract oils from cars, trucks, motorcycles, marine engines and industrial equipment
- Large 15L (4 gallon) capacity, 3-4X the capacity of most extractors for professional daily use
- Live vacuum level gauge display. Verify you are pulling vacuum during use then walk away and leave the extractor to do the work.
- Quick air powered extraction. Attach to an airline to pull vacuum with this extractor's reduced noise design and extract oil from a 4-cylinder engine in a little as 4 minutes
- Extracts engine oil, transmission fluid, axle and gearbox oil, power steering fluid, brake fluid and other non-flammable low-viscosity fluids, such as water and coolant
- Includes 3 hose sizes in 10mm, 6mm and 4mm ID for up to 10ft of extension and silicone brake bleeder hose with adapter
- Store and lock pump handle locks in place when stowed for a convenient carry handle

#### Specifications:

Capacity: 15L

Hose Length: 3.5ft

Dimensions: H22" x W17" x D10"



Model:

# 7346

Product Type:

**15L (4 GAL) PROFESSIONAL MANUAL/PNEUMATIC  
FLUID EXTRACTOR WITH GAUGE**

## MAINTENANCE INSTRUCTION

### 1.) LUBRICATION:

Before connection of the hose, apply 4 to 5 drops of a good quality air tool oil at the air inlet. After 3 to 4 hours of operation, oiling may be necessary again.

### 2.) TIGHTNESS OF PARTS:

Regularly check whether all connecting parts are **fastened securely. Follow this procedure daily before beginning work.**

### 3.) STORAGE:

Avoid storing the tool in a location subject to high humidity. If the tool is left unused, the residual moisture inside the tool can cause rust. Before storing and after operation, oil the tool at the air inlet with a good quality air tool oil and run it for a short period.

### 4.) DISPOSAL:

Follow national legislation of waste disposal.

### 5.) ORDERING SERVICE PART:

For further operational and handling information or for replacement of parts and components, contact the sales agent from where you purchased the tool, or the service division of our company, our service division contact number is 800-221-9705.

\* When ordering parts and components, give each part number, name, and quantities.

Users of this tool should review the chemical composition of the work surface and any products used in conjunction with this tool for any such chemicals prior to engaging in any activity that creates dust and/or microscopic particles.

Users should obtain the Material Safety Data Sheets for all identified chemicals, either from the manufacturer or their employer, and proceed to study, understand, and follow all instructions and warnings for exposure to such chemicals.

Some examples of these chemicals are: lead from lead based paints; crystalline silica from bricks, cement and other masonry products; and arsenic and chromium from chemically treated lumber. A listing of the chemicals can be obtained at [www.oehha.ca.gov](http://www.oehha.ca.gov) under Proposition 65.

In order to reduce their exposure to such chemicals, users should always:

- work in well-ventilated areas.
- wear appropriate safety equipment and clothes that are specifically designed to filter out microscopic particles.



## WARNING



1. The tool shall not be used in potentially explosive atmospheres.
2. Disconnect the air hose before changing or adjusting any inserted tools.
3. Before using tool, please confirm all couplings and plugs are fixed securely. An air hose that is under pressure may lash out when disconnected and could lead to serious injuries.
4. Prevent loose clothes, long hair or any other personal accessories from coming close to moving parts to reduce the risk of being caught, trapped or drawn into the pump handle.
5. Excessive high air pressure that exceeds the maximum pressure may cause injuries to user.
6. Exposure to strong vibration for extended time may cause harm to operator.
7. WATCH YOUR STEP! Leaving excess hose unattended near working area or walk path could result in injury or death.
8. Wearing eye/face protection could reduce the danger to person from high speed splinters being emitted from the tool or work surface.
9. Wearing correct breathing protection will help avoid inhaling dust or debris from work process that can be harmful to your health.
10. High sound levels can cause permanent hearing loss. Use hearing protection while operating tool.
11. Due to the material being processed, there may be a risk of explosion or fire. Be aware of work surface dangers prior to beginning work.
12. Dust created by sanding, sawing, grinding, drilling and other related activities may expose the user to dust and/or microscopic particles that may contain chemicals known to the State of California to cause cancer, birth defects or other reproductive harm.



Model:

# 7346

Product Type:

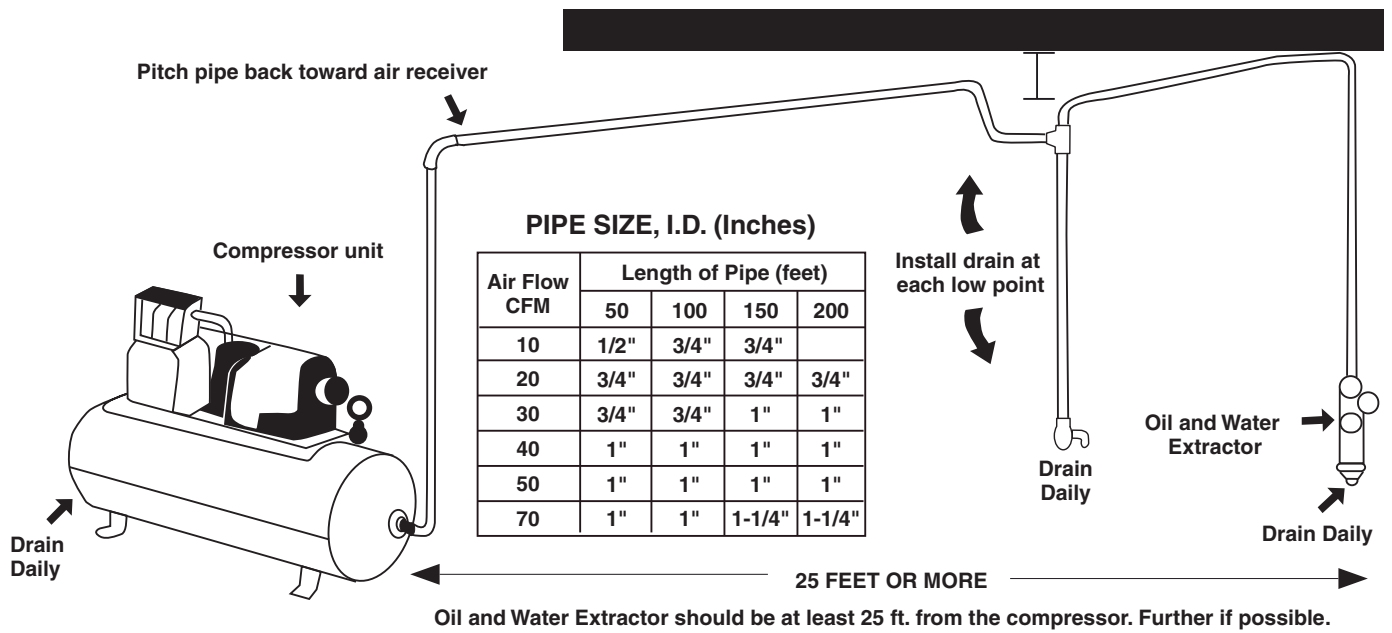
## 15L (4 GAL) PROFESSIONAL MANUAL/PNEUMATIC FLUID EXTRACTOR WITH GAUGE

The oil and water extractor should not be mounted on or near the air compressor.

The temperature of air is greatly increased during compression. As the air cools down to room temperature, in the air line, on its way to the Air Power Tool, the moisture contained in it condenses. Thus, for maximum effectiveness, the oil and water extractor should be mounted at some point

in the air supply system where the temperature of the compressed air in the line is likely to be lowest. Air lines must be properly drained daily. Each low point in an air line acts as a water trap. Such points should be fitted with an easily accessible drain. See diagram below. Pitch all air lines back towards the compressor so that condensed moisture will flow back into the air receiver where it can be drained off. Drain daily.

### SUGGESTED AIR LINE CONNECTION





Model:

# 7346

Product Type:

## 15L (4 GAL) PROFESSIONAL MANUAL/PNEUMATIC FLUID EXTRACTOR WITH GAUGE

### PRODUCT INFORMATION

1. Please always wear safety goggles.
2. Keep out of reach of children.
3. Do not use the unit to extract or store dangerous chemicals, poisons, acids, alkaline, or solvents. If by chance, liquids such as these are used in the unit, it must be immediately, drained, washed and cleaned.
4. Flammable liquids such as petrol, diesel or kerosene may be extracted or siphoned with the unit but they must not be stored in it.
5. Do not dismantle, tamper with or adapt the unit for any other purpose than what it was originally intended for.
6. Do not drop, throw or mishandle the unit.
7. Do not store either, the unit or suction tubes near or in areas of high temperature, direct sunlight, rain or snow.
8. When extracting flammable liquids, caution should be used due to flammable vapors.
9. The temperature of the fluid should be between 33°F - 212°F when operating. (APPLICATIONS)

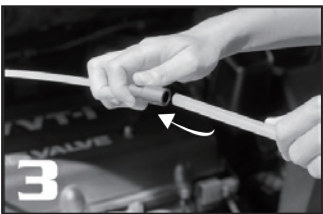
For extraction all types of engine oils, transmission fluids, lubricants, from motor cars, motor bikes, marine engines, stationary engines, large and small industrial machinery, as well as non lubricants such as water from fish tanks, etc...



When using the manual fluid extractor unit to extract engine oil, first you need to make sure the vehicle is level, and then run the engine for about 5 minutes to warm the oil and allow any sludge or contamination within the oil to mix.



▶ Pull out the engine oil dipstick



Insert the hose into the hole of the dipstick (4. to be inserted to the bottom of the engine), and then connect the other end of the hose to the extension hose provided.



▶ Insert the tubing

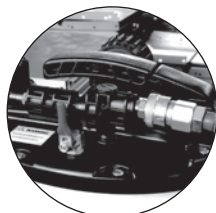


Turn the handle on top of the (-02) upper cover. (Check before the operation. 4. Check if the tube is inserted to the bottom of the engine.)

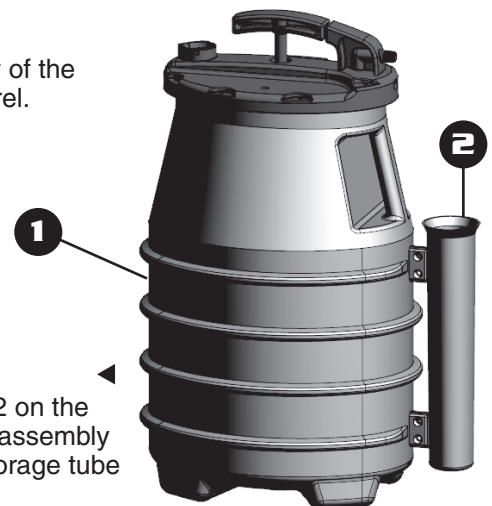
After confirming that the tubes are secured, the barrel will create vacuum by pumping the handle up/down. (up/down cycle, just 6~10 pumps to confirm whether the inside of the barrel created vacuum)

After the barrel creates vacuum, the oil body of the engine will be draining into the extractor barrel.

- ▶ Turn the handle up
- ▼ Connect air supply



Fix the assembly 2 on the 1 to complete the assembly Installation and storage tube





Model:

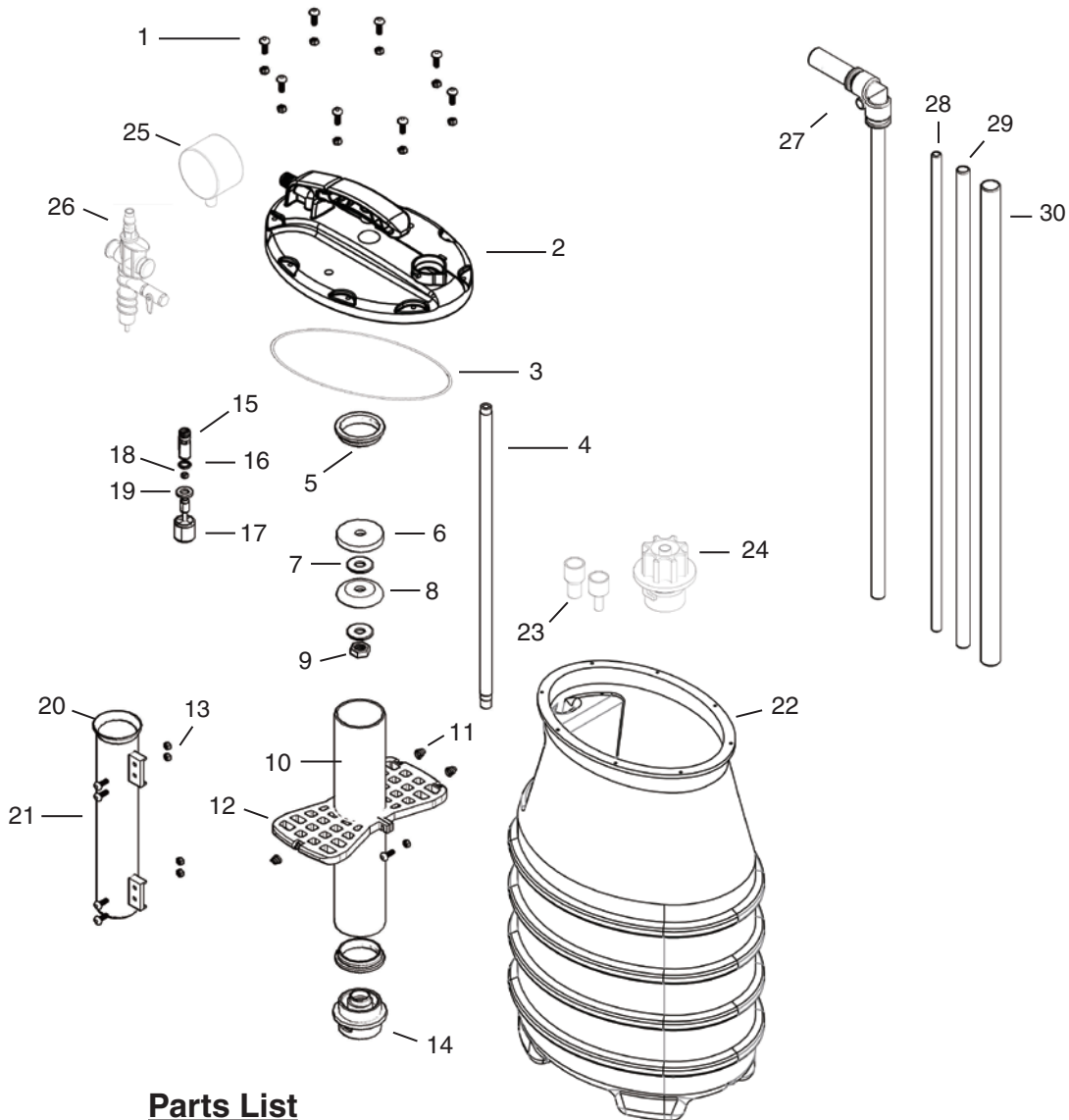
# 7346

Product Type:

## 15L (4 GAL) PROFESSIONAL MANUAL/PNEUMATIC FLUID EXTRACTOR WITH GAUGE

### PARTS BREAKDOWN

Call 1.800.221.9705 for questions concerning performance of the product or other inquiries.



### Parts List

Index	Part No.	Description	Qty
1	7346-01	Screw Posts	8
2	7346-02	Upper Cover	1
3	7346-03	O-ring	1
4	7346-04	Iron Tube	1
5	7346-05	Anti-shedding O-ring	1
6	7346-06	Gasket	1
7	7346-07	Gasket	2
8	7346-08	Air Cushion	1
9	7346-09	Inner Screw Posts	1
10	7346-10	Aluminum Tube	1
11	7346-11	Spring	2
12	7346-12	Anti-compression Baffle	1
13	7346-13	Screw Posts	5
14	7346-14	Vacuum Oil Drum Base	1
15	7346-15	Check Valve - Main Body	1

Index	Part No.	Description	Qty
16	7346-16	O-ring	1
17	7346-17	Check Valve - Float	1
18	7346-18	C-shaped Button	1
19	7346-19	Gasket	1
20	7346-20	Oil Collecting Pipe	1
21	7346-21	Post	1
22	7346-22	Pumping Barrel - Main Body	1
23	7346-23	Tube Bundle Accessories	2
24	7346-24	Upper Cover Knob	1
25	7346-25	Negative Pressure Guage	1
26	7346-26	Pneumatic Connector	1
27	7346-27	Bleed Valve Tubing Connector	1
28	7346-28	4.8mm PA Tube	1
29	7346-29	6.7mm PA Tube	1
30	7346-30	10mm PA Tube	1