



Model: **9517**

Product Type:

16 PIECE HAND IMPACT DRIVER SET



WARNING



Study, understand and follow all instructions provided with this product. Read these instructions carefully before installing, operating, servicing or repairing this tool. Keep these instructions in a safe accessible place.

INTENDED USE OF THE TOOL

The tool is intended to be used with a metal working hammer like a ball-peen to drive and loosen fasteners. Do not use a nailing hammer which is made from a harder material more likely to chip. Do not use this tool outside of the designed intent. Never modify the tool for any other purpose or use.



WARNING



Caution: To help prevent personal injury

- Normal use of this product is likely to expose the user to dust and/or microscopic particles containing chemicals known to the State of California to cause cancer, birth defects or other reproductive harm. Always wear appropriate safety equipment and clothing when using this product. Study, understand and follow all instructions provided with this product. Failure to read and follow all warnings and operating instructions may result in damages and serious injury or death.
- Always wear ANSI approved goggles when using this product. (Users and Bystanders).
- Never use this tool for any application other than for which it was designed.
- Only use accessories designed for this tool.
- Never alter or modify this tool in any way.
- Improper operation and/or maintenance of the tool, modification of the tool, or use of the tool with accessories not designed for it could result in serious injury or death.
- Always select the correct accessories of the correct size and design for the job that you are attempting to perform.
- Always work in a clean, safe, well-lit, organized and adequately equipped area.
- Do not begin repairs without assurance that vehicle is in secure position, and will not move during repair.



**Astro Pneumatic
Tool Company**
www.astrotools.com

1 YEAR LIMITED WARRANTY

- Astro Pneumatic Tool Co. warrants our products to the original user against defective material or workmanship for a period of 1 year (except where noted on our price schedule) from the date of 1st use. Astro reserves the right to determine whether the product failed because of defective material, workmanship or other causes and to charge back for missing parts. Astro Pneumatic Tool Co., at its discretion, will repair products covered under this warranty free of charge. The distributor should direct the original user to return the product (with the exceptions listed below) with the distributor's name, address, adequate proof of date of purchase or a copy of warranty card, and a short note explaining the problem. Failures caused by accident, alteration, or misuse are not covered by this warranty.
- If one part of this product fails, please do not return the entire product. Astro will replace free of charge component parts of this product that fail within 1 year of first use by the original user. Items included in this category include but are not limited to kits, hand tool kits and any other product where there are multiple items or components that make up the unit. Please contact the phone number below in order to obtain the replacement components covered under warranty.
- Astro Pneumatic Tool Co. or its authorized service representatives must perform all warranty repairs. Any repair to the product by unauthorized service representatives voids this warranty. The rights under this warranty are limited to the original user and may not be transferred to subsequent owners.
- This warranty is in lieu of all other warranties, expressed or implied, including warranties of merchantability and fitness for a particular purpose. Some states do not allow the exclusion of limitations of incidental or consequential damages so the above limitations may not apply to you.



**PLEASE DO NOT RETURN ANY PRODUCT WITHOUT CALLING
1-800-221-9705 FOR INSTRUCTIONS**



Unpacking

When unpacking, check the parts diagram and part number listing on page 2 to make sure all parts are included. If any parts are missing or damaged, please call your distributor.

PRODUCT INFORMATION:

- High grade alloy body transfers impacts from hammer blows into rotational force, breaking free rusted or otherwise frozen bolts and screws
- Includes fourteen 5/16" hex bits in flathead, Phillips and hex sizes, or use the 1/2" drive with your own impact sockets
- Perfect for brake disc retention screws and other fasteners exposed to the elements
- Set included :
Flathead: #5, #6, #8, #9
Hex: 4mm, 5mm, 6mm, 8mm
Phillips: #1, #2, #3, #4
3" Long Phillips: #2, #3
1/2" SQ. to 5/16" Hex Adapter
Impact Driver

16 PIECE HAND IMPACT DRIVER SET



MADE IN CHINA

DO NOT DISCARD – GIVE TO USER



**Astro Pneumatic
Tool Company**
372 Old US Highway 52 South
Mount Airy, NC 27030

Model:

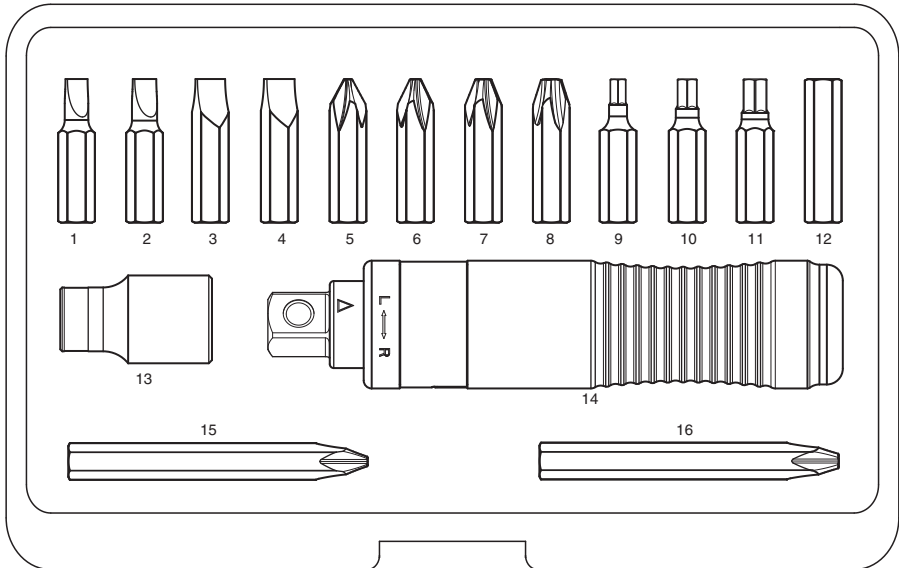
9517

Product Type:

**16 PIECE
HAND IMPACT DRIVER SET**

PARTS BREAKDOWN

Call 1.800.221.9705 for questions concerning performance of the product or other inquiries.



Parts List

Index	Part No.	Description	Qty
1	9517-01	SL5 Flathead	1
2	9517-02	SL6 Flathead	1
3	9517-03	SL8 Flathead	1
4	9517-04	SL9 Flathead	1
5	9517-05	PH1 Phillips	1
6	9517-06	PH2 Phillips	1
7	9517-07	PH3 Phillips	1
8	9517-08	PH4 Phillips	1

Index	Part No.	Description	Qty
9	9517-09	H4 Hex 4mm	1
10	9517-10	H5 Hex 5mm	1
11	9517-11	H6 Hex 6mm	1
12	9517-12	H8 Hex 8mm	1
13	9517-13	1/2" SQ. to 5/16" Hex Adapter	1
14	9517-14	Impact Driver	1
15	9517-15	3" Long #2 Phillips	1
16	9517-16	3" Long #3 Phillips	1