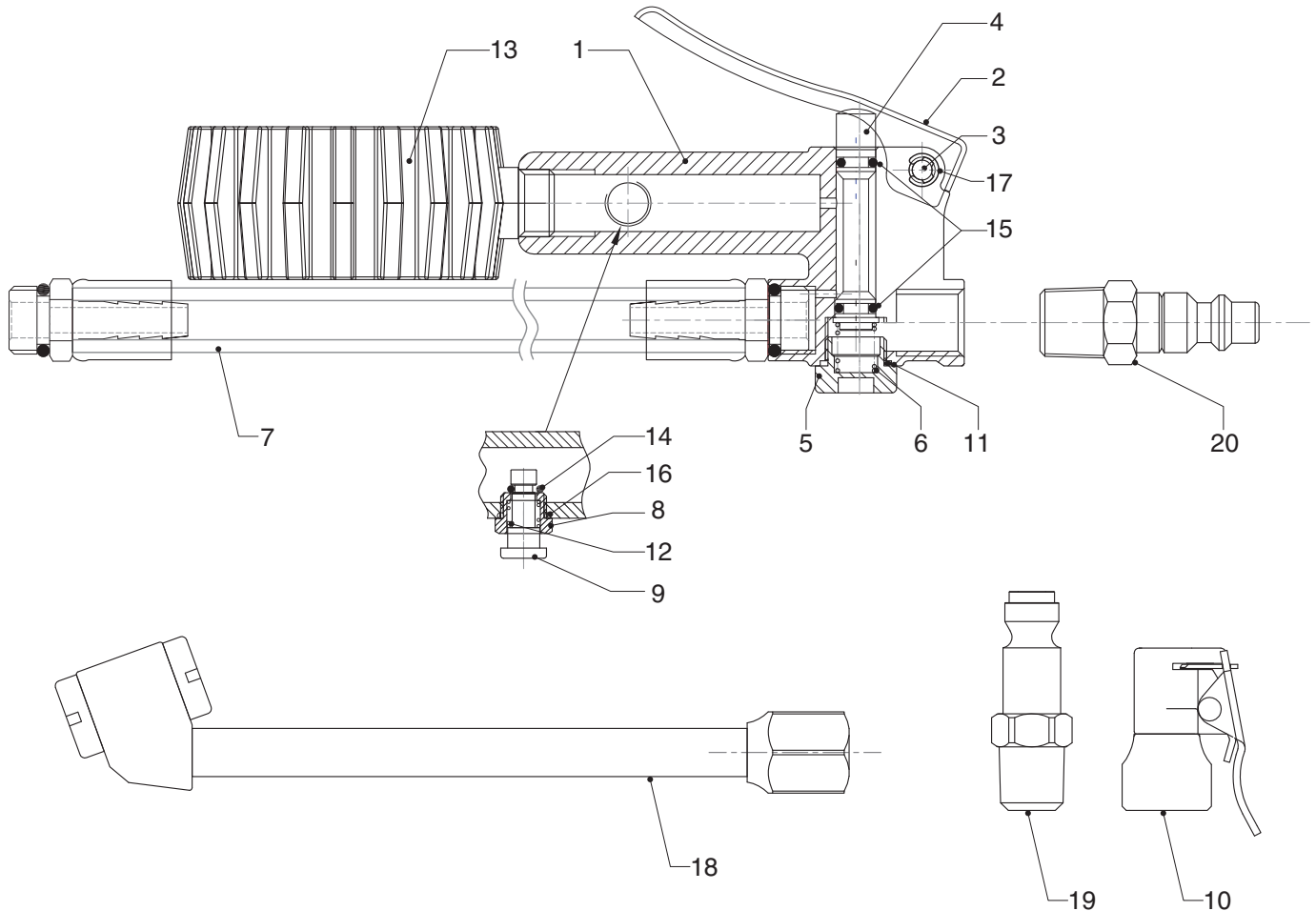


Call 1.800.221.9705 for questions concerning performance of the product or other inquiries.

PARTS BREAKDOWN



Parts List

Index	Part No.	Description	Qty	Index	Part No.	Description	Qty
1	3083-01	Inflator Body	1	11	3083-11	O Ring	1
2	3083-02	Trigger	1	12	3083-12	Outlet Spring	1
3	3083-03	Trigger Fixing Pin	1	13	3083-13	2.5" NPT Pressure Gauge	1
4	3083-04	Inlet Valve	1	14	3083-14	O Ring-N80	1
5	3083-05	Fixing Nut	1	15	3083-15	O Ring	2
6	3083-06	Inlet Spring	1	16	3083-16	O Ring	1
7	3083-07	1/4"x15" Rubber Air Hose Kit	1	17	3083-17	No.3 E Ring	1
8	3083-08	Outlet Screw	1	18	3083-18	6" Dual Chuck	1
9	3083-09	Outlet Valve	1	19	3083-19	1/4" Truflate Male Plug	1
10	3083-10	1/4" Locking Air Chuck	1	20	3083-20	1/4" M Industrial Male Plug	1