



**Astro Pneumatic  
Tool Company**

372 Old US Highway 52 South  
Mount Airy, NC 27030

Model:

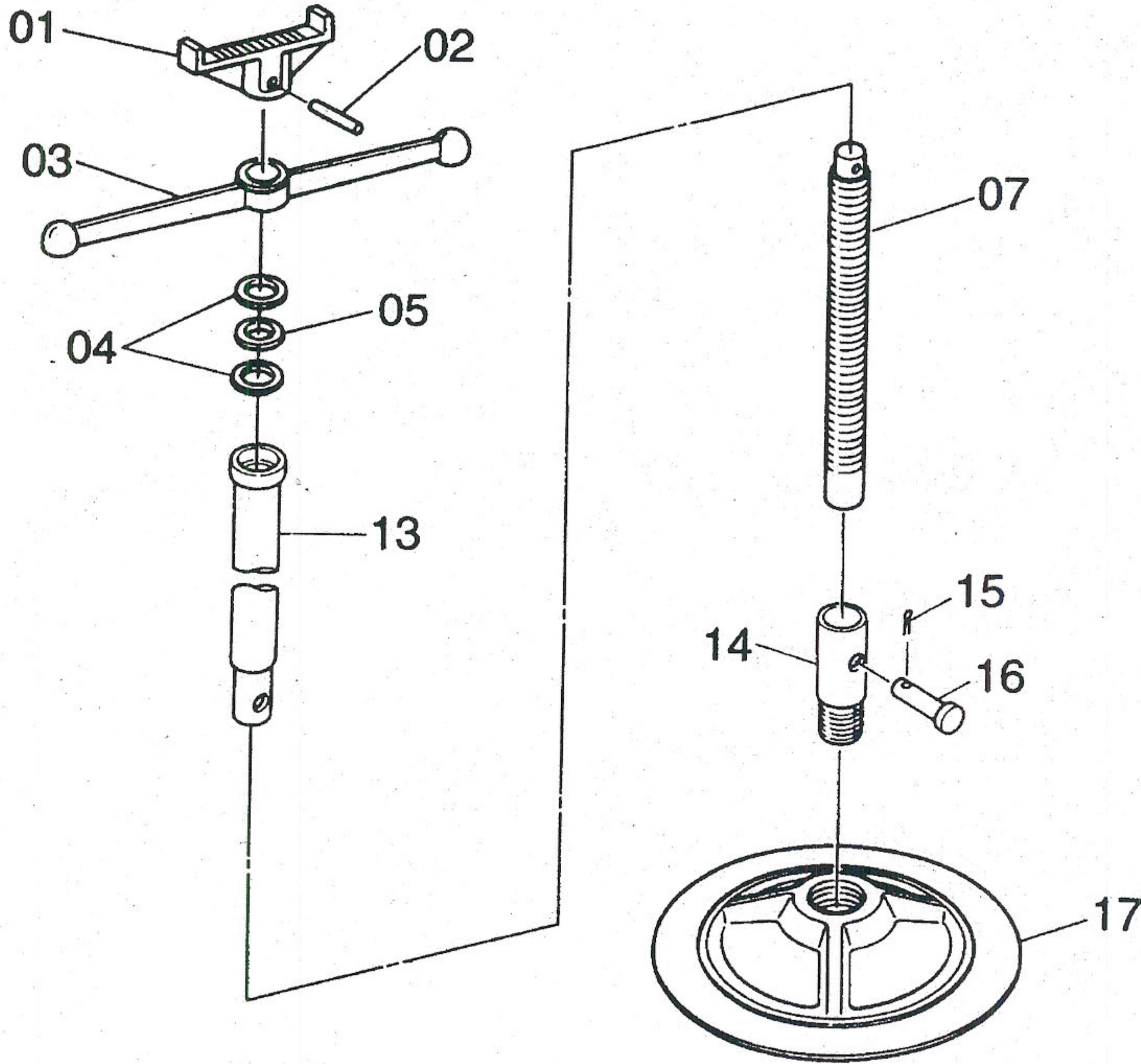
**1175**

Product Type:

**3/4 Ton Under Hoist Stand**

**PARTS BREAKDOWN**

Call 1.800.221.9705 for questions concerning performance of the product or other inquiries.



**Parts List**

Part No.	Description	No. Req.
1175-01	Saddle	1
1175-02	Lock Pin	1
1175-03	Handle	1
1175-04	Bearing Retainer	2
1175-05	Ball Bearing	1
1175-07	Acme Thread	1
1175-13	Metal Support	1
1175-14	Holder	1
1175-15	Retaining Pin	2
1175-16	Stop Pin	1
1175-17	Base	1