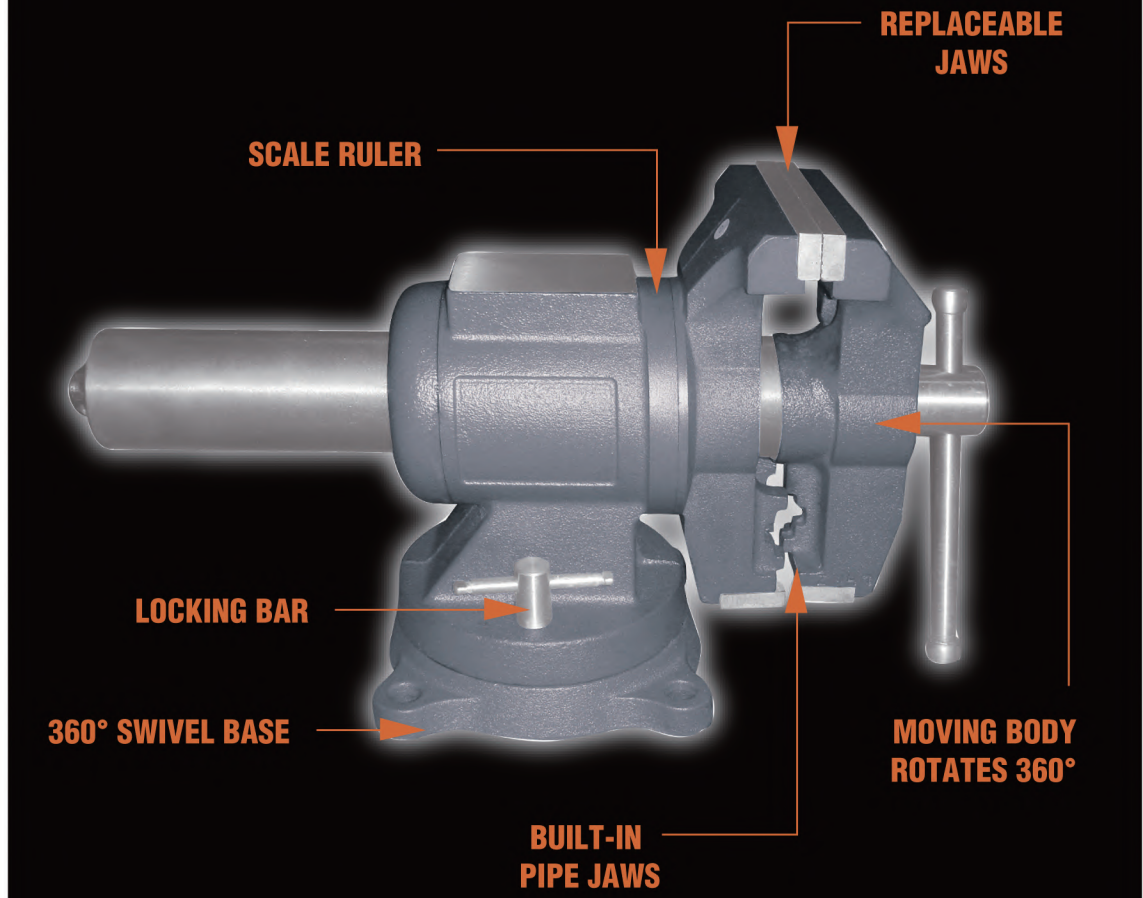


**Model # 9570**

**5"  
MULTI-PURPOSE  
FLIP BENCH VISE**

**SALES AND MARKETING**  
2417 SEAMAN AVENUE  
SOUTH EL MONTE, CA 91733  
Phone: (800) 221-9705  
**USA Toll Free**  
Fax: (877) 318-2194  
Phone: (626) 228-3170  
Fax: (626) 228-3124

372 OLD US HIGHWAY  
52 SOUTH  
MT. AIRY, NC 27030  
(800) 221-9705  
Phone: (336) 786-6432  
Fax: (336) 786-4992



Model	Jaw Width	Jaw Opening	Throat Depth
<b>9570</b>	<b>5" (125mm)</b>	<b>5" (125mm)</b>	<b>2.63" (67mm)</b>
Pipe Capacity	Large Anvil	Weight	
<b>0.59" – 2.5" (15mm – 64mm)</b>	<b>3.15" x 2.56" (80mm x 65mm)</b>	<b>33lbs (15kg)</b>	

**IDEAL FOR USE AT  
HOME, SHOP, ETC.**



**Astro**

E-mail : [astrotools@astrotools.com](mailto:astrotools@astrotools.com)  
WEBSITE : [www.astrotools.com](http://www.astrotools.com)



**SHOP EQUIPMENT**

