



**Astro Pneumatic  
Tool Company**  
372 Old US Highway 52 South  
Mount Airy, NC 27030

Model:

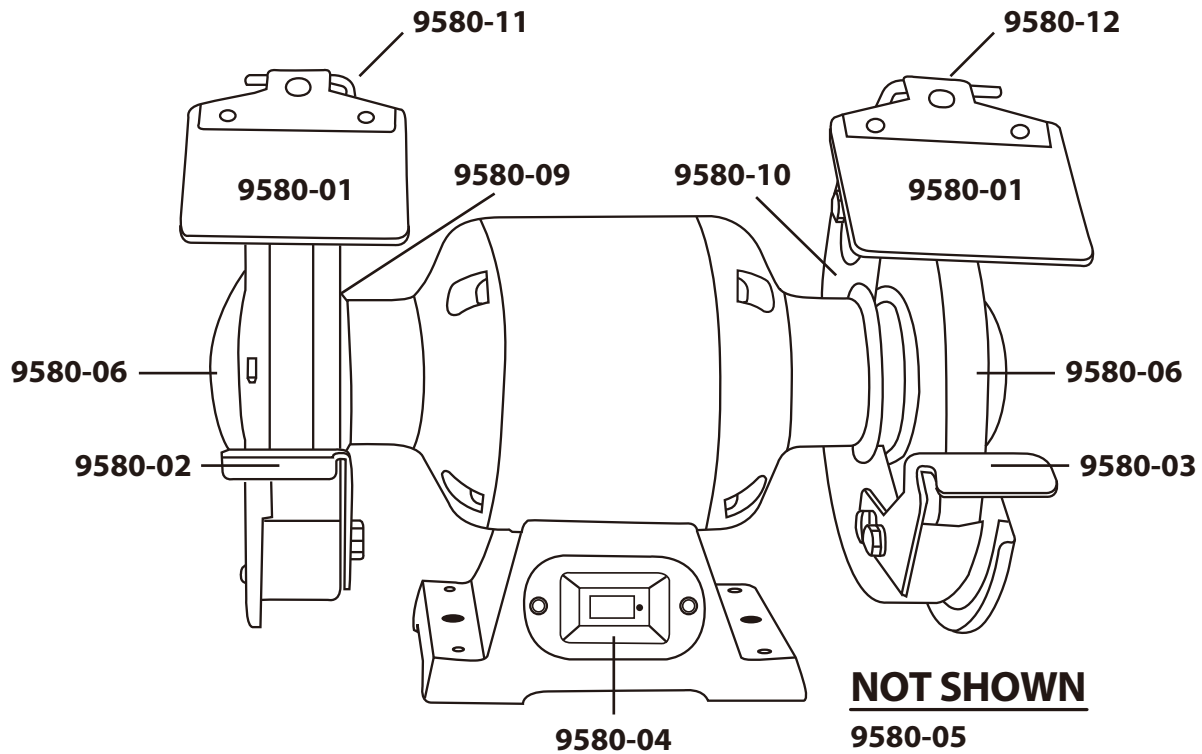
**9580**

Product Type:

**6" 1/2 HORSE POWER  
BENCH GRINDER**

## PARTS BREAKDOWN

Call 1.800.221.9705 for questions concerning performance of the product or other inquiries.



**NOT SHOWN**

9580-05

9580-07

9580-08

9580-HK Hardware Kit

## Parts List

<i>Index No.</i>	<i>Part No.</i>	<i>Description</i>	<i>Q'ty</i>
A1	9580-01	Eye Protection Shield (sold individually)	2
B1	9580-02	Tool Rest Left	1
B2	9580-03	Tool Rest Right	1
C1	9580-04	On / Off Switch	1
D1	9580-05	Eye Protection Shield Bracket (sold individually)	2
E1	9580-06	Wheel Cover (sold individually)	2
G1	9580-07	Upper Tongue Guard Left	1
G2	9580-08	Upper Tongue Guard Right	1
I1	9580-09	Guard Left	1
I2	9580-10	Guard Right	1
J1	9580-11	Eye Protection Shield Rod Left	1
J2	9580-12	Eye Protection Shield Rod Right	1
K1	9580-HK	Hardware Kit	1