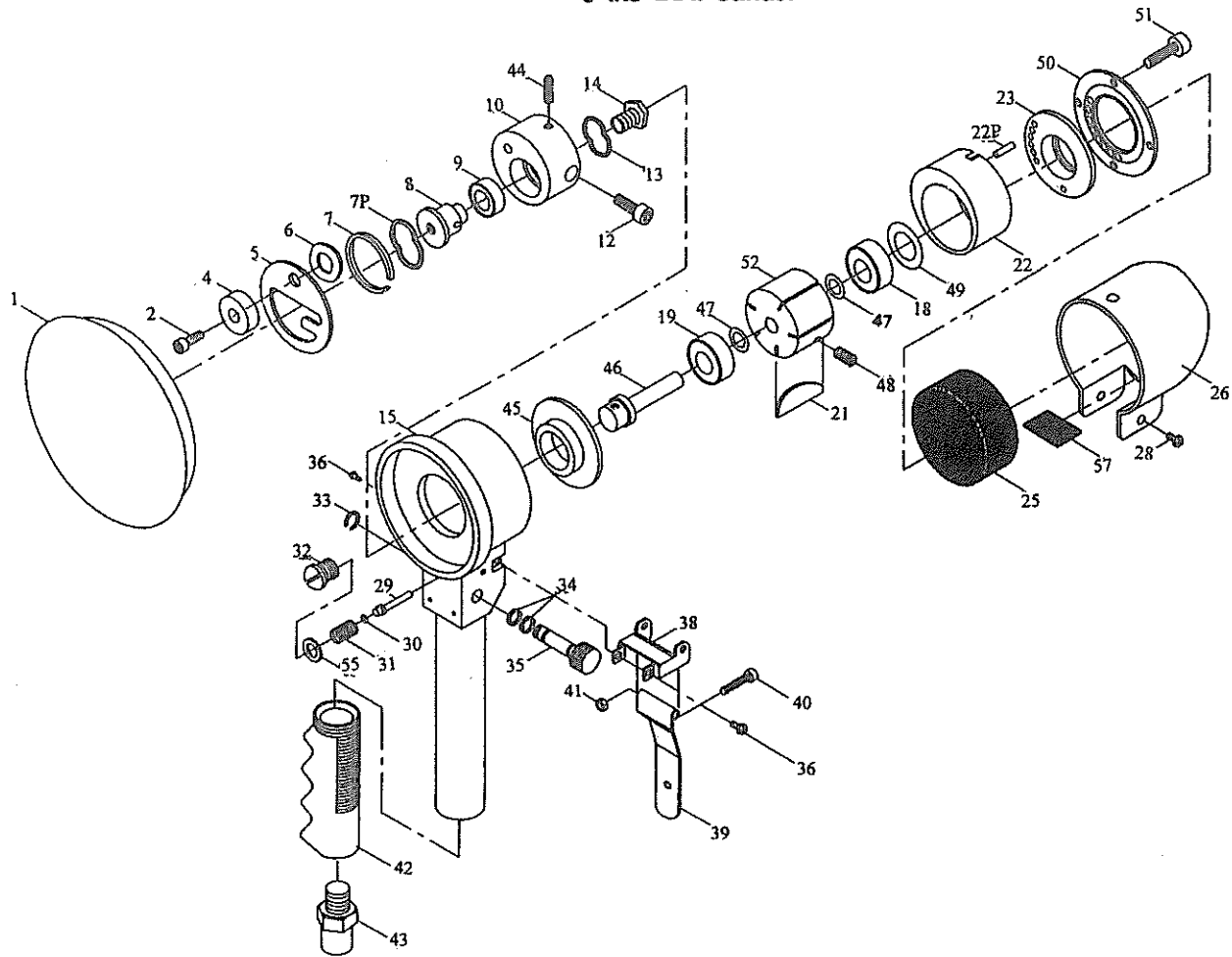




6 ins D.A. Sander



300SP

Index No.	Part No.	Description	No. Req'd	Index No.	Part No.	Description	No. Req'd
1	300SP-1	6" Foam Pad(Yellow)	1	30	300SP-30	O-Ring	1
2	300SP-2	Cap Screw	1	31	300SP-31	Spring	1
4	300SP-4	Balance Nut	1	32	300SP-32	Plug	1
5	300SP-5	Drive Cover	1	33	300SP-33	Retaining Ring	1
6	300SP-6	Wave Washer	1	34	300SP-34	O-Ring	2
7	300SP-7	Retaining Ring	1	35	300SP-35	Regulator	1
7P	300SP-7P	Wave Washer	1	36	300SP-36	Screw	2
8	300SP-8	Pad Mounting Shaft	1	38	300SP-38	Lever Bracket	1
9	300SP-9	Ball Bearing	1	39	300SP-39	Throttle Lever	1
10	300SP-10	Random Balance Body	1	40	300SP-40	Screw	1
12	300SP-12	Socket Head Cap Screw	1	41	300SP-41	Nut	1
13	300SP-13	Wave Washer	1	42	300SP-42	Plastic Handle	1
14	300SP-14	Cap Screw	1	43	300SP-43	Inlet Bushing	1
15	300SP-15	Body	1	44	300SP-44	Fixing Screw	1
18	300SP-18	Ball Bearing	1	45	300SP-45	Rear Plate	1
19	300SP-19	Ball Bearing	1	46	300SP-46	Rotor Shaft	1
21	300SP-21	Rotor Blade	5	47	300SP-47	Shim	4
22	300SP-22	Cylinder	1	48	300SP-48	Set Screw	1
22P	300SP-22P	Pin	1	49	300SP-49	Bearing Shield	1
23	300SP-23	Front Plate	1	50	300SP-50	Rotor Fixing Cover	1
25	300SP-25	Muffler	1	51	300SP-51	Rotor Screw	4
26	300SP-26	Motor Cover	1	52	300SP-52	Rotor	1
28	300SP-28	Screw	2	55	300SP-55	O-Ring	1
29	300SP-29	Push Rod	1	57	300SP-57	Muffler Element	1