



Model:

# 55670

Product Type:

## 7-IN-1 WORKBENCH



### WARNING



Study, understand and follow all instructions provided with this product. Read these instructions carefully before installing, operating, servicing or repairing this tool. Keep these instructions in a safe accessible place.

#### INTENDED USE OF THE TOOL

The workbench is the ultimate 7-IN-1 WORKBENCH, sawhorse, scaffold, platform, car creeper, dolly and hand truck. The item can be transformed easily between different modes by following the instruction manual. This product is intended for DIY and light trade use. Do not use this tool outside of the designed intent. Never modify the tool for any other purpose or use.



### WARNING



#### Caution: To help prevent personal injury

- Normal use of this product is likely to expose the user to dust and/or microscopic particles containing chemicals known to the State of California to cause cancer, birth defects or other reproductive harm. Always wear appropriate safety equipment and clothing when using this product. Study, understand and follow all instructions provided with this product. Failure to read and follow all warnings and operating instructions may result in damages and serious injury or death.
- Always wear ANSI approved goggles when using this product. (Users and By standers).
- Never use this tool for any application other than for which it was designed.
- Only use accessories designed for this tool.
- Never alter or modify this tool in any way.
- Improper operation and/or maintenance of the tool, modification of the tool, or use of the tool with accessories not designed for it could result in serious injury or death.
- Always select the correct accessories of the correct size and design for the job that you are attempting to perform.
- Always work in a clean, safe, well-lit, organized and adequately equipped area.
- Do not begin repairs without assurance that vehicle is in secure position, and will not move during repair.



## Astro Pneumatic Tool Company

www.astrotools.com

#### 1 YEAR LIMITED WARRANTY

- Astro Pneumatic Tool Co. warrants our products to the original user against defective material or workmanship for a period of 1 year (except where noted on our price schedule) from the date of 1st use. Astro reserves the right to determine whether the product failed because of defective material, workmanship or other causes and to charge back for missing parts. Astro Pneumatic Tool Co., at its discretion, will repair products covered under this warranty free of charge. The distributor should direct the original user to return the product (with the exceptions listed below) with the distributor's name, address, adequate proof of date of purchase or a copy of warranty card, and a short note explaining the problem. **Failures caused by accident, alteration, or misuse are not covered by this warranty.**
- Astro Pneumatic Tool Co. or its authorized service representatives must perform all warranty repairs. Any repair to the product by unauthorized service representatives voids this warranty. The rights under this warranty are limited to the original user and may not be transferred to subsequent owners.
- This warranty is in lieu of all other warranties, expressed or implied, including warranties of merchantability and fitness for a particular purpose. Some states do not allow the exclusion of limitations of incidental or consequential damages so the above limitations may not apply to you.



PLEASE DO NOT RETURN ANY PRODUCT WITHOUT CALLING 1-800-221-9705 FOR INSTRUCTIONS



#### PRODUCT INFORMATION

- 7 different functions including: workbench, saw horse, scaffold, platform, car creeper, dolly and hand truck
- 550lb max capacity in scaffold and platform mode and 330lb max in other modes
- Includes integrated power strip for standard power cords and USB devices
- 4 hide-away caster wheels deploy for car creeper, dolly and hand truck modes
- 43" x 21.75" work surface, 20.5" to 30.75" working height
- Design features an extending tool tray, hanging hook, push bar. 2 vice pegs, 2 quick clamp connection ports and extendable locking legs

**DO NOT DISCARD – GIVE TO USER**



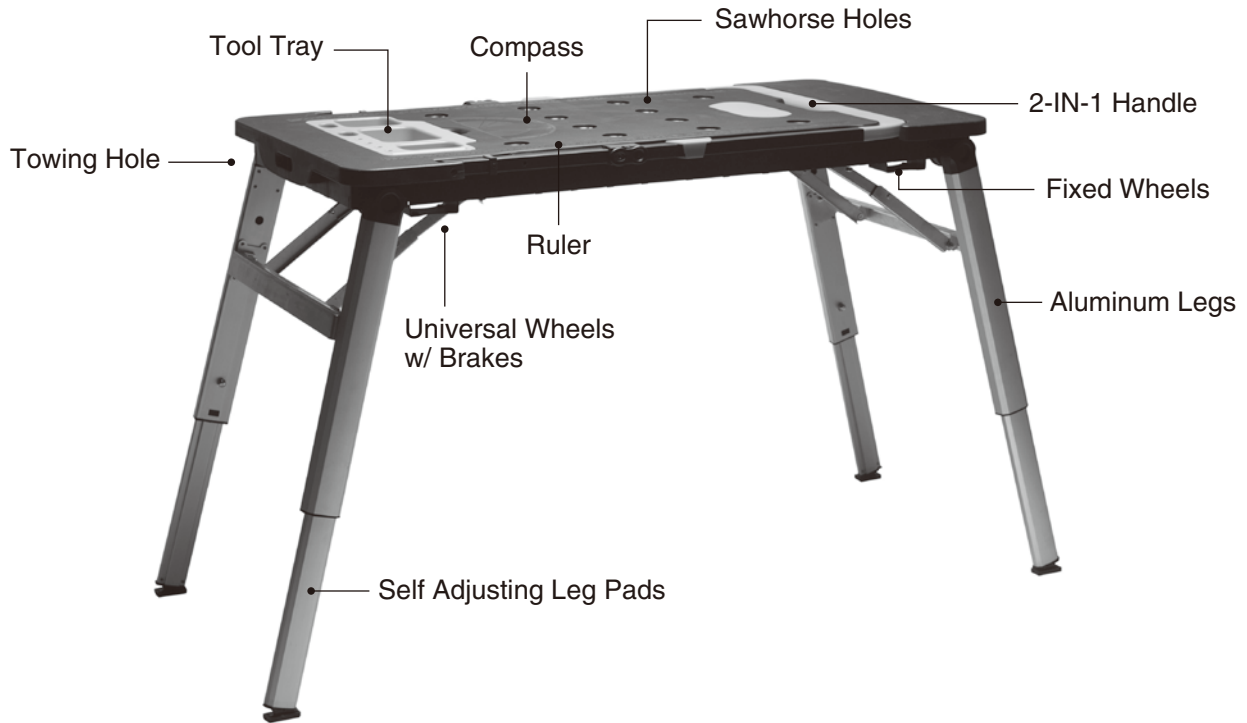
Model:

# 55670

Product Type:

## 7-IN-1 WORKBENCH

### PRODUCT LAYOUT



### TECHNICAL SPECIFICATIONS

**Work Platform Size:** 109 x 55cm (3'6.9" x 1'9.7")

**Work Height:** 56/80cm (1'10"/2'7.5")

**Loading Capacity:**

**Workbench/Sawhorse Mode:** 150kgs (330lbs)

**Scaffold/Platform Mode:** 250kgs (550lbs)

**Net Weight:** 14kgs / 30.9lbs

**Car Creeper & Dolly Mode:** 150kgs (330lbs)

**Hand Truck Mode:** 150kgs (330lbs)



## WARNING



Read carefully and understand all **ASSEMBLY AND OPERATION INSTRUCTIONS** before operating. Failure to follow the safety rules and other basic safety precautions may result in serious personal injury. This machine is designed for certain applications only. The distributor cannot be responsible for issues arising from modification. We strongly recommend this machine not be modified and/or used for any application other than that for which it was designed. If you have any questions relative to a particular application, **DO NOT** use the machine until you have first contacted the distributor to determine if it can or should be performed on the product.

**WARNING:** Read and understand all instructions.

Failure to follow all instructions listed below may result in serious injury.



**CAUTION:** Do not allow persons to operate or assemble this workbench until they have read this manual and have developed a thorough understanding of how the unit works.



**WARNING:** The warnings, cautions and instructions discussed in this instruction manual cannot cover all possible conditions or situations that could occur. It must be understood by the operator that common sense and caution are factors which cannot be built into this product, but must be applied by the operator.



**Maintain your workbench.** It is recommended that the general condition of any workbench be examined before it is used. Keep your workbench in good repair by adopting a program of conscientious repair and maintenance. Have necessary repairs made by qualified service personnel. Wipe away dirt and dust from the workbench on a regular basis.



Model:

# 55670

Product Type:

## 7-IN-1 WORKBENCH

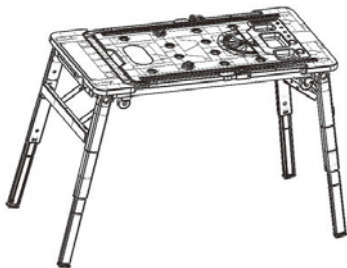
### IMPORTANT SAFETY CONSIDERATIONS

- **FAILURE TO FOLLOW THESE SAFETY PRECAUTIONS AND INSTRUCTIONS COULD RESULT IN DAMAGE TO THE PRODUCT AND/OR SERIOUS INJURY TO YOU!**
- Make sure all moving parts are free from interference.
- Keep hands clear of all moving parts.
- Ensure workbench is used in a dry place, protected from rain. The product is for INDOOR use only. Do not store or use it outdoors or in a moist environment.
- Keep work area well lit.
- Be aware of over balancing. When using this product in all modes, please keep your body or a heavy object in the center or surface to avoid overbalance. Incorrect usage may cause it to turn over and result in personal injury.
- When transporting the workbench in a vehicle, always tie down to prevent movement and possible damage.
- Check to make sure that all fixing screws and knobs are tight and all legs are locked into position before operating the workbench.
- **DON'T USE SCAFFOLD/PLATFORM MODE WITH LEGS FULLY EXTENDED.** Always use this product on a stable, level surface. Failure to use properly or overload may result in serious personal injury.
- When using this product with power tools, please refer to the manufacturer's instructions for guidance on usage.
- The product must be used only for its prescribed purpose. Any use other than those mentioned in these instructions will be considered a case of misuse. The manufacturer shall not be liable for any damage or injury resulting from such cases of misuse.
- The manufacturer shall not be liable for any modifications made to the tool or for any damage resulting from such modifications.

### ASSEMBLY

**YOUR 7-IN-1 WORKBENCH COMES FULLY ASSEMBLED, JUST TAKE IT OUT OF THE PACKAGING AND FOLLOW THE SIMPLE SET UP STEPS, THEN IT'S READY TO USE.**

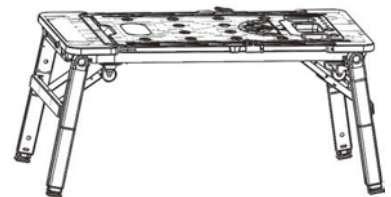
**WORKBENCH MODE**



**SAWHORSE MODE**



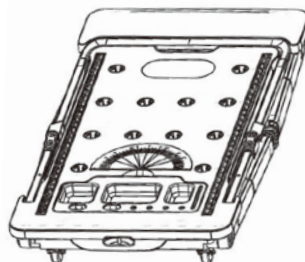
**SCAFFOLD MODE**



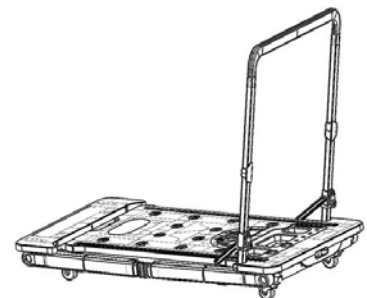
**PLATFORM MODE**



**CAR CREEPER & DOLLY MODE**



**HAND TRUCK MODE**





Model:

# 55670

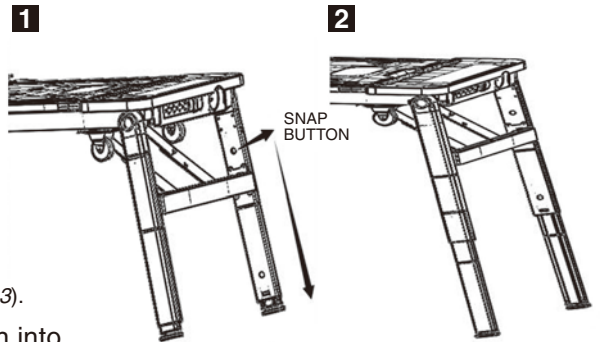
Product Type:

## 7-IN-1 WORKBENCH

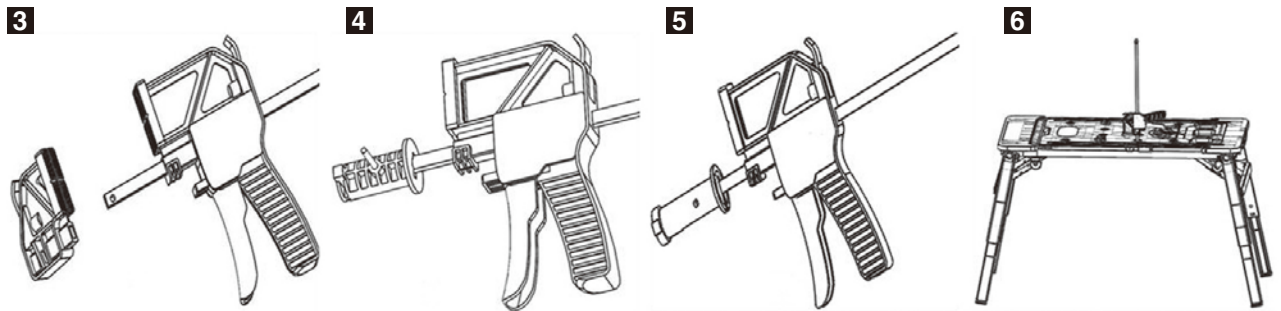
### ASSEMBLY

#### WORKBENCH MODE & SAWHORSE MODE

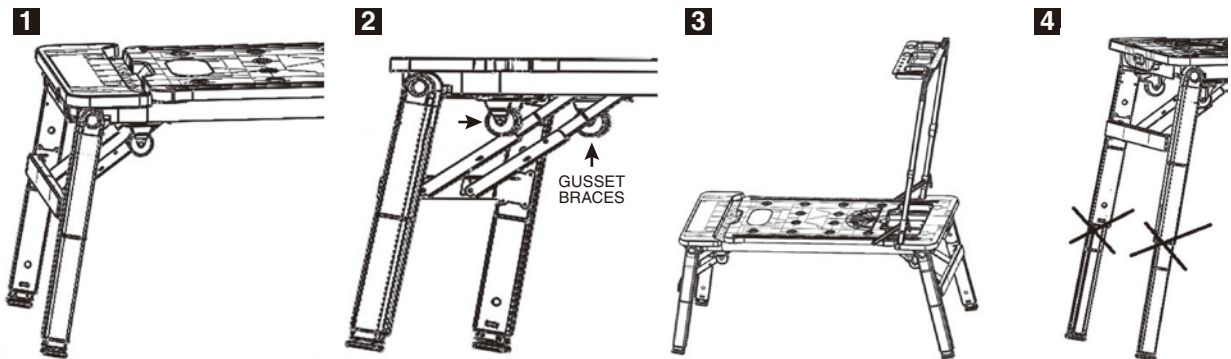
1. Firstly, set up the legs by following the same steps as detailed within scaffold mode section.
2. Push the snap buttons on the side of each leg to release them, then pull the inner legs out to the workbench height. When legs are fully extended they will snap into place. Gently turn the workbench upright onto a stable, level surface.
3. Please follow below steps to connect with a quick clamp.
  - a. Remove the small plastic part of your quick clamp (*image 3*).
  - b. Put the steel bar into our connector (*image 4*) and put a pin into the lock hole, make sure they are connected firmly (*image 5*).
  - c. Put the connector into Sawhorse hole on the workbench surface and rotate at least 30 degrees (*image 6*).
  - d. With the help of the 2 vice pegs on the workbench, a sawhorse is completed.



**NOTE: DO NOT step on the workbench while the legs are fully extended.**



#### SCAFFOLD MODE & PLATFORM MODE



1. Release all legs from their locking position, then rotate each pair of legs until you can't move them anymore.
2. Ensure the gusset brace is locked by pulling up it. Repeat for all the other gusset braces.
3. Pull the handle up until you can't move it any more, then release the tool tray from it's locking position, put the tool tray on the top of the handle, forming a platform. **THE LOADING CAPACITY FOR THE TOOL TRAY IS 2KGS(4.5LBS) IN THIS MODE.**
4. Hang the hook on the handle, it can be used to hang tool bags while working on the platform.

**WARNING:**  
**DON'T USE SCAFFOLD/PLATFORM MODE WITH LEGS FULLY EXTENDED.**  
*The inner legs are not designed to be used in this function.*





Model:

# 55670

Product Type:

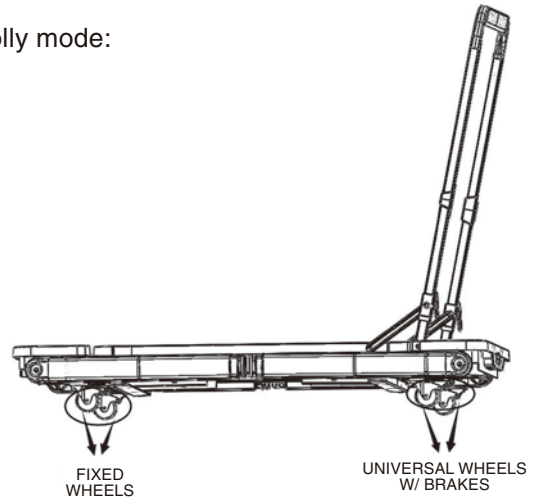
## 7-IN-1 WORKBENCH

### ASSEMBLY

#### CAR CREEPER & DOLLY MODE

Please follow these steps to install wheels in the car creeper & dolly mode:

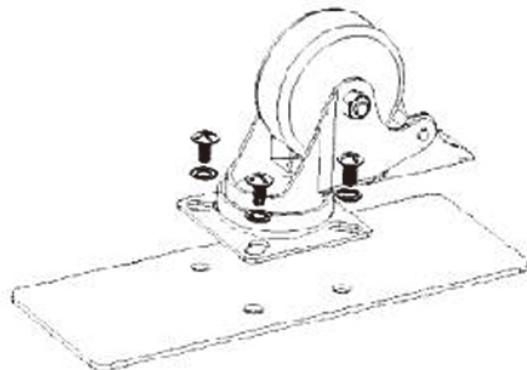
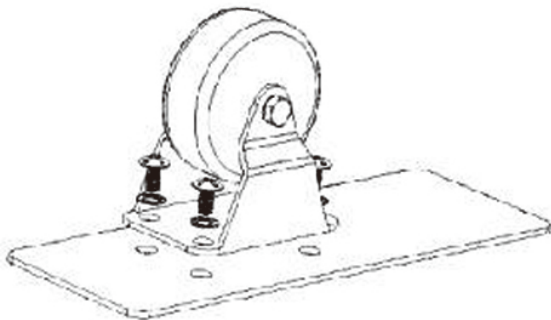
1. Find the wheels, gaskets and screws in the back of the workbench, then line up all the screws, gasket and wheels. Notice that the 2 universal wheels with brakes should be installed under the tool tray and the left 2 fixed wheels on the other side.
2. Put one gasket on the screw hole and secure the screw by using a screwdriver.
3. Rotate the wheel to fix the 4 screws, make sure the wheels are fully secured.
4. Follow steps 1-3 to assemble the other 3 wheels, then your car creeper is ready to go.
5. Connect a pulling rope to the towing holes, then the dolly is completed.



#### TIP : How to install the wheels

Please follow these steps to install wheels in the car creeper & dolly mode:

1. Always use the gaskets which are provided in the carton. See the illustrations above.
2. There are 2 universal/steering wheels plus 2 fixed wheels in the set, and each set of wheels has their own position. Please refer to the illustration above.



#### HAND TRUCK MODE

1. Pull the handle up from the car creeper mode until you can't move it any more, then a hand truck is ready.
2. Push the two buttons on the handle, it can be withdrawn.

