



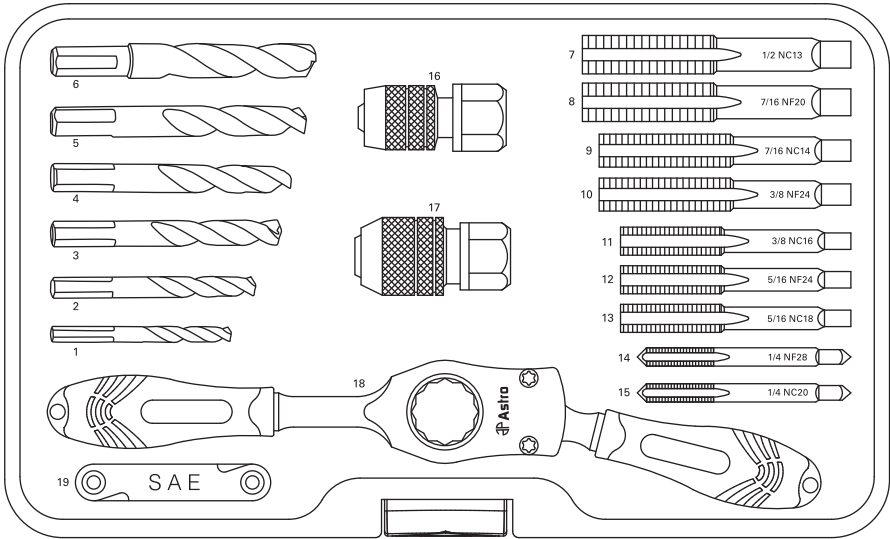
**Astro Pneumatic
Tool Company**
372 Old US Highway 52 South
Mount Airy, NC 27030

Model:
7580

Product Type:
**AUTOMOTIVE DRILL & TAP
SET - SAE**

PARTS BREAKDOWN

Call 1.800.221.9705 for questions concerning performance of the product or other inquiries.



Parts List

Index	Part No.	Description	Qty	Index	Part No.	Description	Qty
1	7580-ADRILL	"A" SAE Drill	1	11	7580-3816T	3/8" NC16 Tap	1
2	7580-BDRILL	"B" SAE Drill	1	12	7580-51624T	5/16" NF24 Tap	1
3	7580-CDRILL	"C" SAE Drill	1	13	7580-51618T	5/16" NC18 Tap	1
4	7580-DDRILL	"D" SAE Drill	1	14	7580-1428T	1/4" NF28 Tap	1
5	7580-EDRILL	"E" SAE Drill	1	15	7580-1420T	1/4" NF20 Tap	1
6	7580-FDRILL	"F" SAE Drill	1	16	7580-STH	Small Tap Holder	1
7	7580-1213T	1/2" NC13 Tap	1	17	7580-LTH	Large Tap Holder	1
8	7580-71620T	7/16" NF20 Tap	1	18	75801	72 tooth Ratcheting Wrench	1
9	7580-71614T	7/16" NC14 Tap	1	19	7580-SPG	Screw Pitch Gauge(SAE)	1
10	7580-3824T	3/8" NF24 Tap	1				