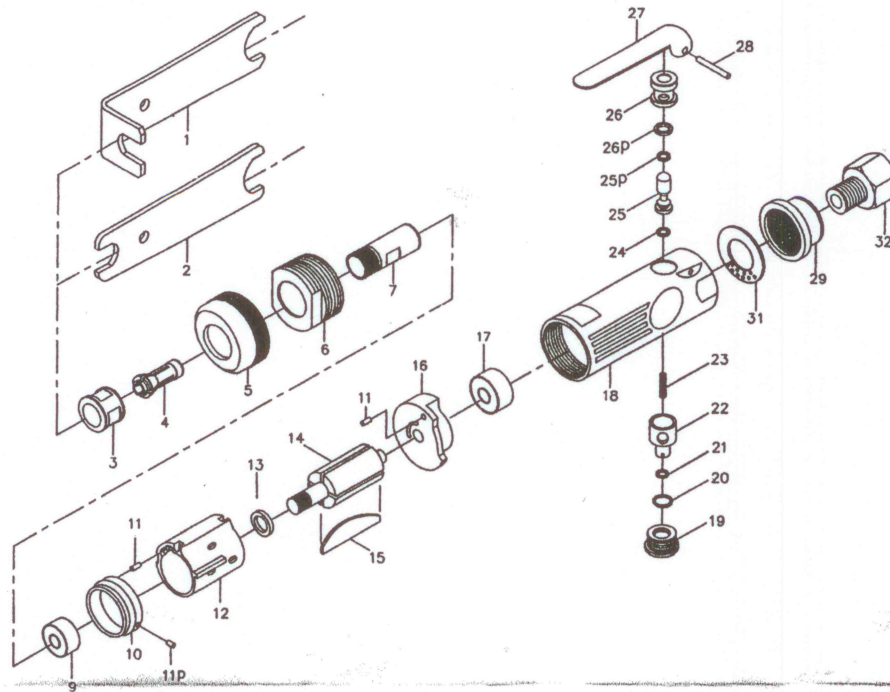




1/4 Straight Die Grinder



1206A

T210

Index No.	Part No.	Description	No. Req.	Index No.	Part No.	Description	No. Req.
1	T210-1	Angle Ended Spanner	1	18AP	1206A-18P	Housing Sleeve (For 1206A)	1
2	T210-2	Double Ended Spanner	1	18B	T210-18	Housing(For T210)	1
3	T210-3	Collet Nut	1	1	T210-19	Valve Screw	1
4	T210-4	Collet 1/4"	1	2	T210-20	O-Ring	1
5	T210-5	Housing Cap	1	3	T210-21	O-Ring	1
6	T210-6	Retainer	1	4	T210-22	Air Regulator	1
7	T210-7	Spindle	1	5	T210-23	Spring	1
9	T210-9	Ball Bearing	1	6	T210-24	O-Ring	1
10	T210-10	Front End Plate	1	7	T210-25	Throttle Valve	1
11	T210-11	Pin	2	25P	T210-25P	O-Ring	1
11P	T210-11P	Pin	1	26	T210-26	Valve Bushing	1
12	T210-12	Cylinder	1	26P	T210-26P	O-Ring	1
13	T210-13	Spacer	1	27	T210-27	Safety Lever	1
14	T210-14	Rotor	1	28	T210-28	Throttle Pin	1
15	T210-15	Rotor Blade	4	29	T210-29	Exhaust Deflector	1
16	T210-16	Rear End Plate	1	31	T210-31	Circlip	1
17	T210-17	Ball Bearing	1	32	T210-32	Inlet Bushing	1
18A	1206A-18	Housing(For 1206A)	1				