



**Astro Pneumatic
Tool Company**

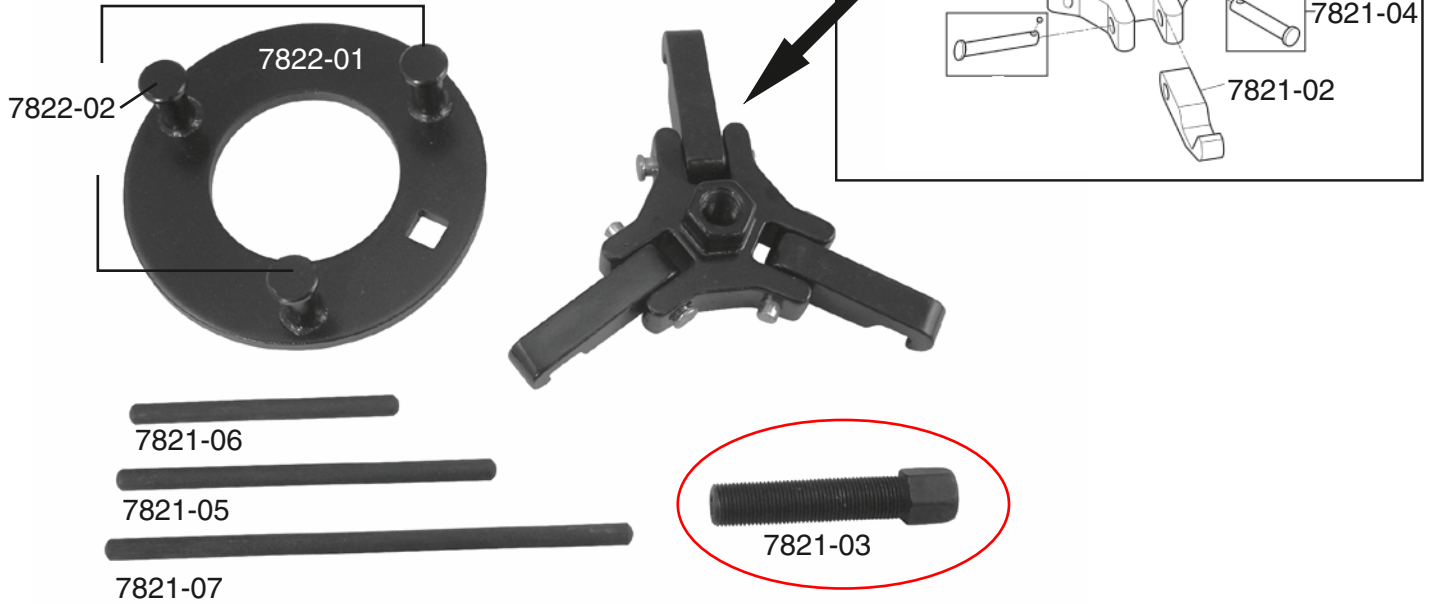
372 Old US Highway 52 South
Mount Airy, NC 27030

Model:
7822

Product Type:
**Harmonic Damper &
Holding Puller Set**

PARTS BREAKDOWN

Call 1.800.221.9705 for questions concerning performance of the product or other inquiries.



Parts List

Part No.	Description	Qty
7821-01	3 Way Cross-Arm	1
7821-02	Hook	3
7821-03	Screw	1
7821-04	Lock Pin	3
7821-05	5-7/16" Puller Pin	1
7821-06	4" Puller Pin	1
7821-07	7-7/16" Puller Pin	1
7822-01	Damper Pulley Ring	1
7822-02	Bolts	3