



**Astro Pneumatic
Tool Company**

372 Old US Highway 52 South
Mount Airy, NC 27030

Model:

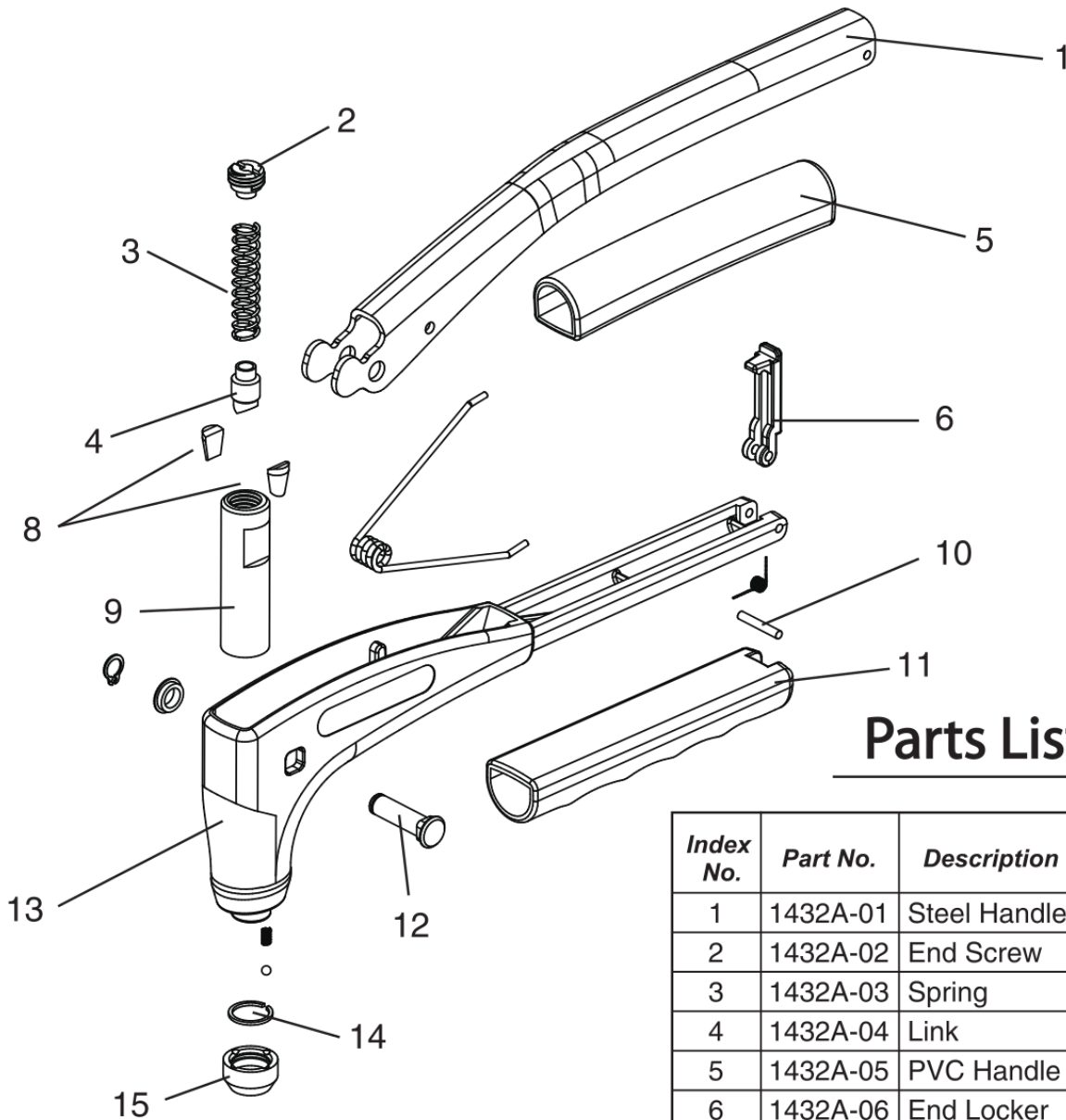
1432A

Product Type:

**INDUSTRIAL HAND RIVETER KIT WITH
DIAL HEAD WITH 4 SIZES 3/32", 1/8",
5/32" AND 3/16" CAPACITY**

Call 1.800.221.9705 for questions concerning performance of the product or other inquiries.

PARTS BREAKDOWN



Parts List

Index No.	Part No.	Description	Q'ty
1	1432A-01	Steel Handle	1
2	1432A-02	End Screw	1
3	1432A-03	Spring	1
4	1432A-04	Link	1
5	1432A-05	PVC Handle Cover	1
6	1432A-06	End Locker	1
7	1432A-07	Spring	1
8	1432A-08	Jaws (2pcs)	1
9	1432A-09	Pulling Bar	1
10	1432A-10	Pin	1
11	1432A-11	PVC Handle Cover	1
12	1432A-12	Screw	1
13	1432A-13	Aluminium Body	1
14	1432A-14	Plastic Clip	1
15	1432A-15	Blocker	1