



Model:

# 78834

Product Type:

## "LAST CHANCE" IMPACT RATED HUB REMOVAL BOLT KIT



### WARNING



Study, understand and follow all instructions provided with this product. Read these instructions carefully before installing, operating, servicing or repairing this tool. Keep these instructions in a safe accessible place.

### INTENDED USE OF THE TOOL

The 78834 Hub Removal Bolt Kit is designed to press against knuckles to budge wheel hubs free for removal. Do not use this tool outside of the designed intent. Never modify the tool for any other purpose or use.



### WARNING



#### Caution: To help prevent personal injury

- Use of this product can expose you to chemicals such as phthalates which are known to the State of California to cause cancer, and birth defects or other reproductive harm. For more information go to [www.P65Warnings.ca.gov/product](http://www.P65Warnings.ca.gov/product). Always wear ANSI approved safety equipment, safety glasses and clothing when using this product. Study, understand, and follow all instructions provided with this product. Failure to read and follow all warnings and operating instructions may result in damages and serious injury or death.
- Always wear ANSI approved goggles when using this product. (Users and By standers).
- Never use this tool for any application other than for which it was designed.
- Only use accessories designed for this tool.
- Never alter or modify this tool in any way.
- Improper operation and/or maintenance of the tool, modification of the tool, or use of the tool with accessories not designed for it could result in serious injury or death.
- Always select the correct accessories of the correct size and design for the job that you are attempting to perform.
- Always work in a clean, safe, well-lit, organized and adequately equipped area.
- Do not begin repairs without assurance that vehicle is in secure position, and will not move during repair.

### BEFORE USE

When unpacking, check the parts diagram and part number listing on page 2 to make sure all parts are included. If any parts are missing or damaged, please call your distributor.

**DO NOT DISCARD – GIVE TO USER**



## Astro Pneumatic Tool Company

[www.astrotools.com](http://www.astrotools.com)

### 1 YEAR LIMITED WARRANTY

- Astro Pneumatic Tool Co. warrants our products to the original user against defective material or workmanship for a period of 1 year (except where noted on our price schedule) from the date of 1st use. Astro reserves the right to determine whether the product failed because of defective material, workmanship or other causes and to charge back for missing parts. Astro Pneumatic Tool Co., at its discretion, will repair products covered under this warranty free of charge. The distributor should direct the original user to return the product (with the exceptions listed below) with the distributor's name, address, adequate proof of date of purchase or a copy of warranty card, and a short note explaining the problem. **Failures caused by accident, alteration, or misuse are not covered by this warranty.**
- If one part of this product fails, please do not return the entire product. Astro will replace free of charge component parts of this product that fail within 1 year of first use by the original user. Items included in this category include but are not limited to kits, hand tool kits and any other product where there are multiple items or components that make up the unit. Please contact the phone number below in order to obtain the replacement components covered under warranty.
- Astro Pneumatic Tool Co. or its authorized service representatives must perform all warranty repairs. Any repair to the product by unauthorized service representatives voids this warranty. The rights under this warranty are limited to the original user and may not be transferred to subsequent owners.
- This warranty is in lieu of all other warranties, expressed or implied, including warranties of merchantability and fitness for a particular purpose. Some states do not allow the exclusion of limitations of incidental or consequential damages so the above limitations may not apply to you.



**PLEASE DO NOT RETURN ANY PRODUCT WITHOUT CALLING 1-800-221-9705 FOR INSTRUCTIONS**



### PRODUCT INFORMATION

- For press-in, bolt-in or otherwise corroded hubs that should have come out with your 1st attempt but refuse to be removed
- Simply use these impact rated bolts and nuts to push against the knuckle assembly and force the hub off
- Custom press bolts feature a ball bearing end and work with included press feet to freely angle against uneven surfaces



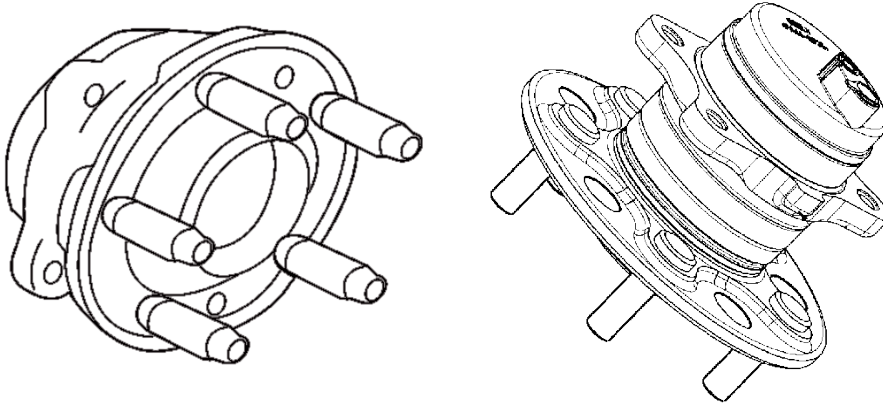
Model:

# 78834

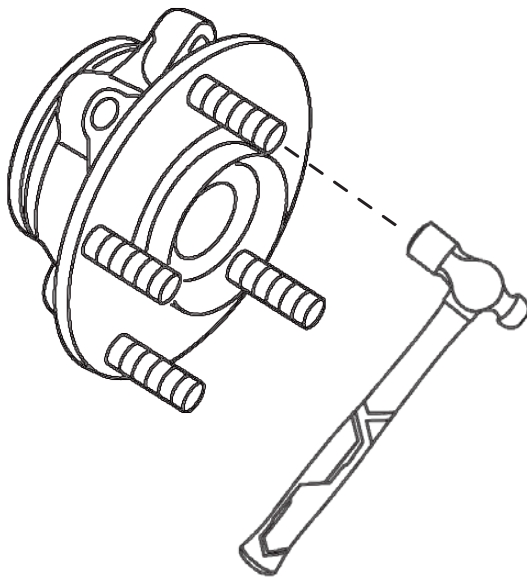
Product Type:

## "LAST CHANCE" IMPACT RATED HUB REMOVAL BOLT KIT

### HUB TYPES

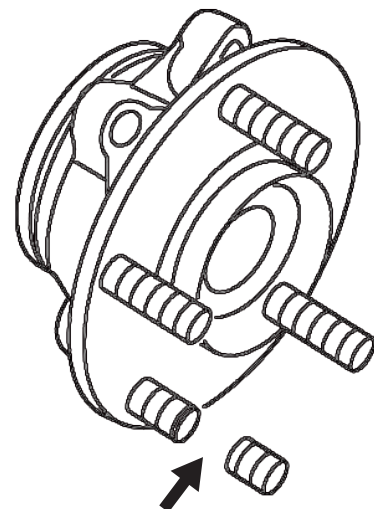


Some hubs will have holes already free to install the hub press bolts and are ready to use as directed to press the hub out.



Some hubs may require hammering out 1 or more studs 1st before installing the press bolts.

If there is not sufficient space behind the hub to hammer out and remove stud, it may require cutting 1 or more studs shorter in order for hammering them through to allow the stud length to come out the backside of the hub. In many cases, removal of the hub is due to it needing to be replaced, and the new hub will usually come with new wheel studs installed.





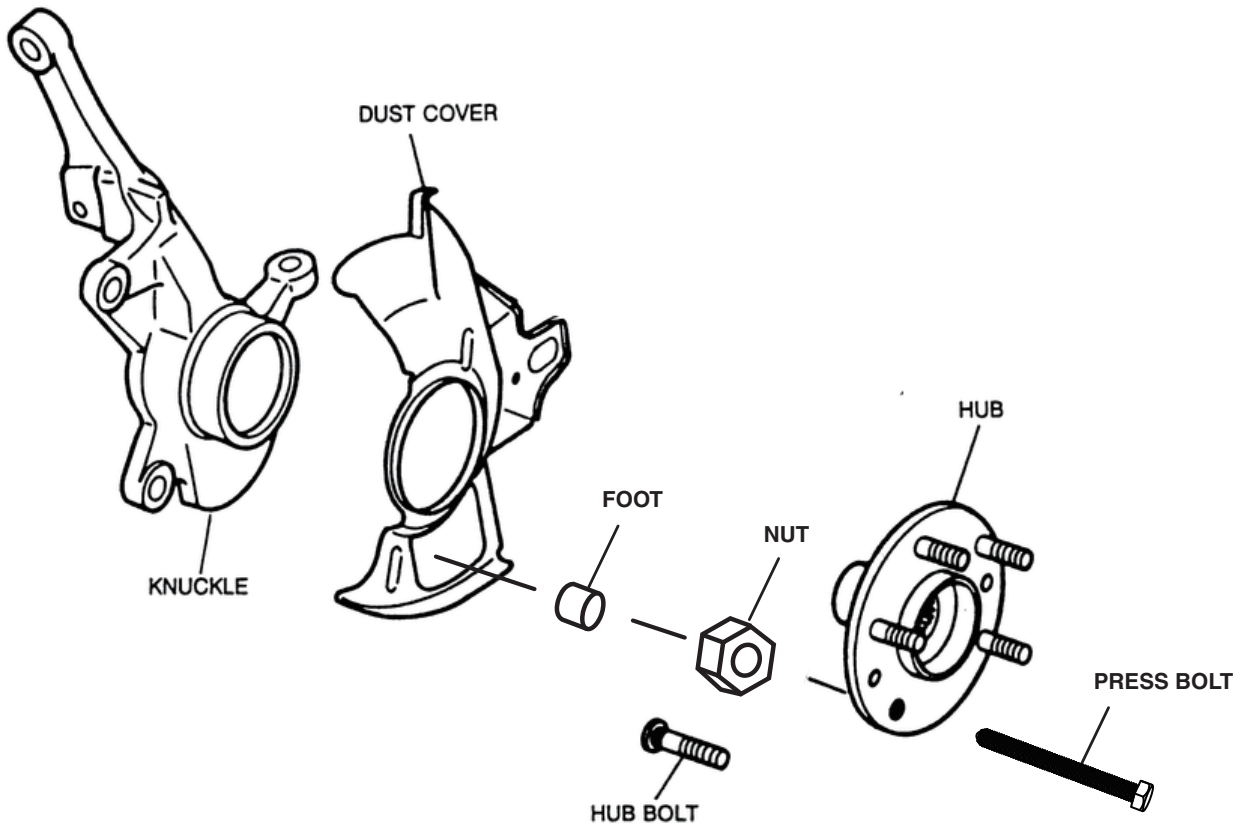
Model:

# 78834

Product Type:

## "LAST CHANCE" IMPACT RATED HUB REMOVAL BOLT KIT

### INSTRUCTIONS



Often times there's not just 1 solution to removing a stubborn hub. The below steps will remove most stuck jobs, but sometimes the application of heat or the addition of another puller you were already attempting with such as a slide hammer are best used in concert with this set to remove the most stubborn hubs.

1. Remove 1-2 wheel stud bolts in the process outlined above. (or 3 for extra tough jobs if you own two of these kits)
2. For 1/2" and M12 wheel studs and below use the smaller (M12) press bolts provided in the kit with the corresponding nuts.
3. Place the press bolt(s) through the open available hub holes which when using 2 or more should be opposite sides of the hub from each other.
4. Grease the nuts and bolts you're about to use. Use the matching nuts included in this set on the backside of the hub, threading the press bolts through them.
5. Before threading the press bolt all the way in, install a press foot on the end of the bolt end. Room allowing this will distribute the force more evenly and prevent damage to the dust cover or knuckle. If space does not allow for the installation of a foot, the bolt can be used bare within minimal marks left on the dust cover or knuckle due to the ball bearing design. Dust cover can sometimes be removed 1st to prevent damage of this as well.
6. With a 19mm or 3/4" socket on the bolt head and 15/16" or 24mm wrench holding onto the nut on the backside, wrench by hand or with an impact wrench to apply force to the bolt and push against the knuckle. Work back and forth alternating on each press bolt until the hub is busted free.



Model:

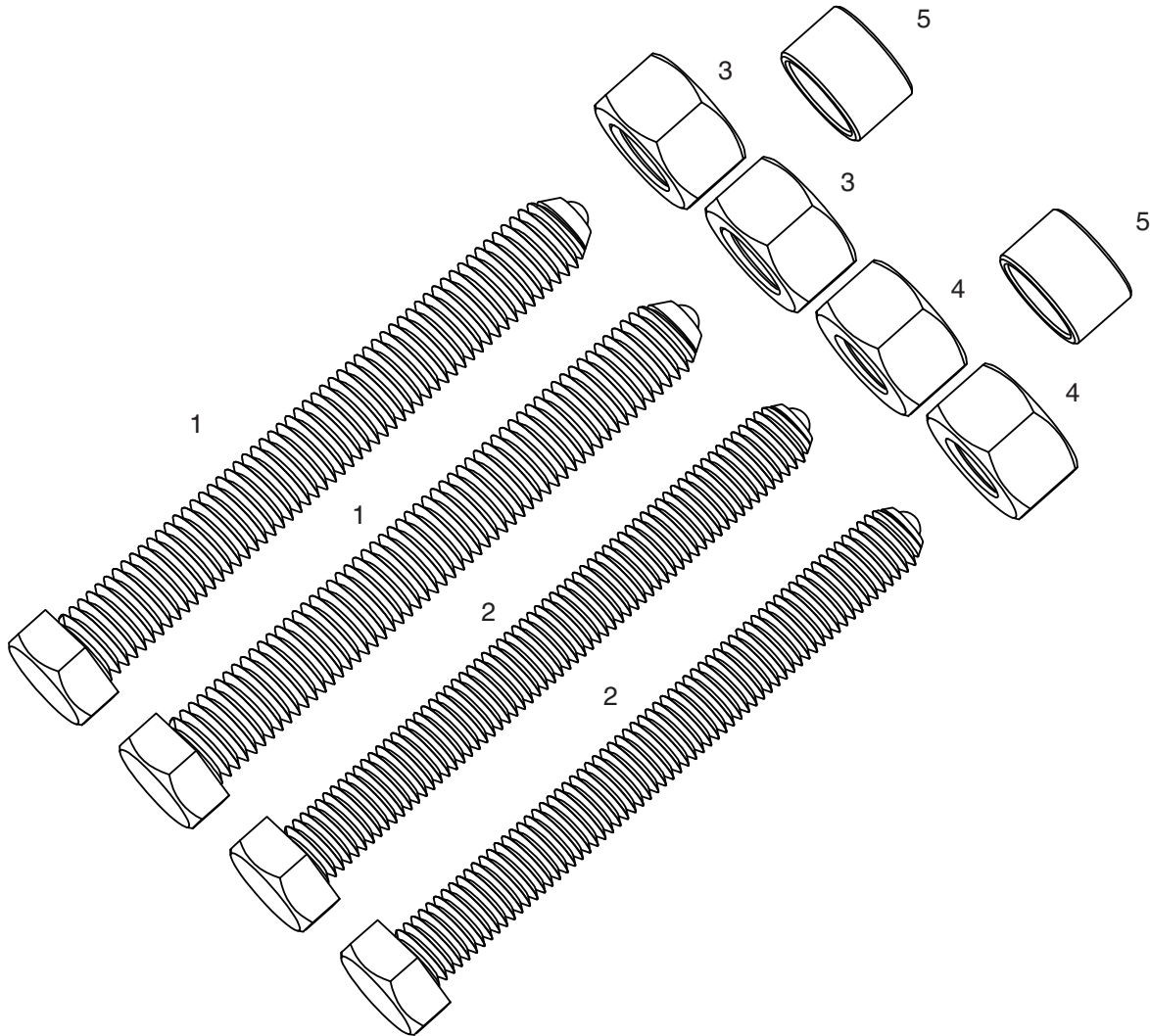
# 78834

Product Type:

## "LAST CHANCE" IMPACT RATED HUB REMOVAL BOLT KIT

### PARTS BREAKDOWN

Call 1.800.221.9705 for questions concerning performance of the product or other inquiries.



### Parts List

<b>Index</b>	<b>Part No.</b>	<b>Description</b>	<b>Qty</b>
1	78834-01	M14x2.00 Bolts	2
2	78834-02	M12x1.75 Bolts	2
3	78834-03	M14x2.00 Nuts	2
4	78834-04	M12x1.75 Nuts	2
5	78834-05	Foot	2