



**Astro Pneumatic
Tool Company**

372 Old US Highway 52 South
Mount Airy, NC 27030

Model:

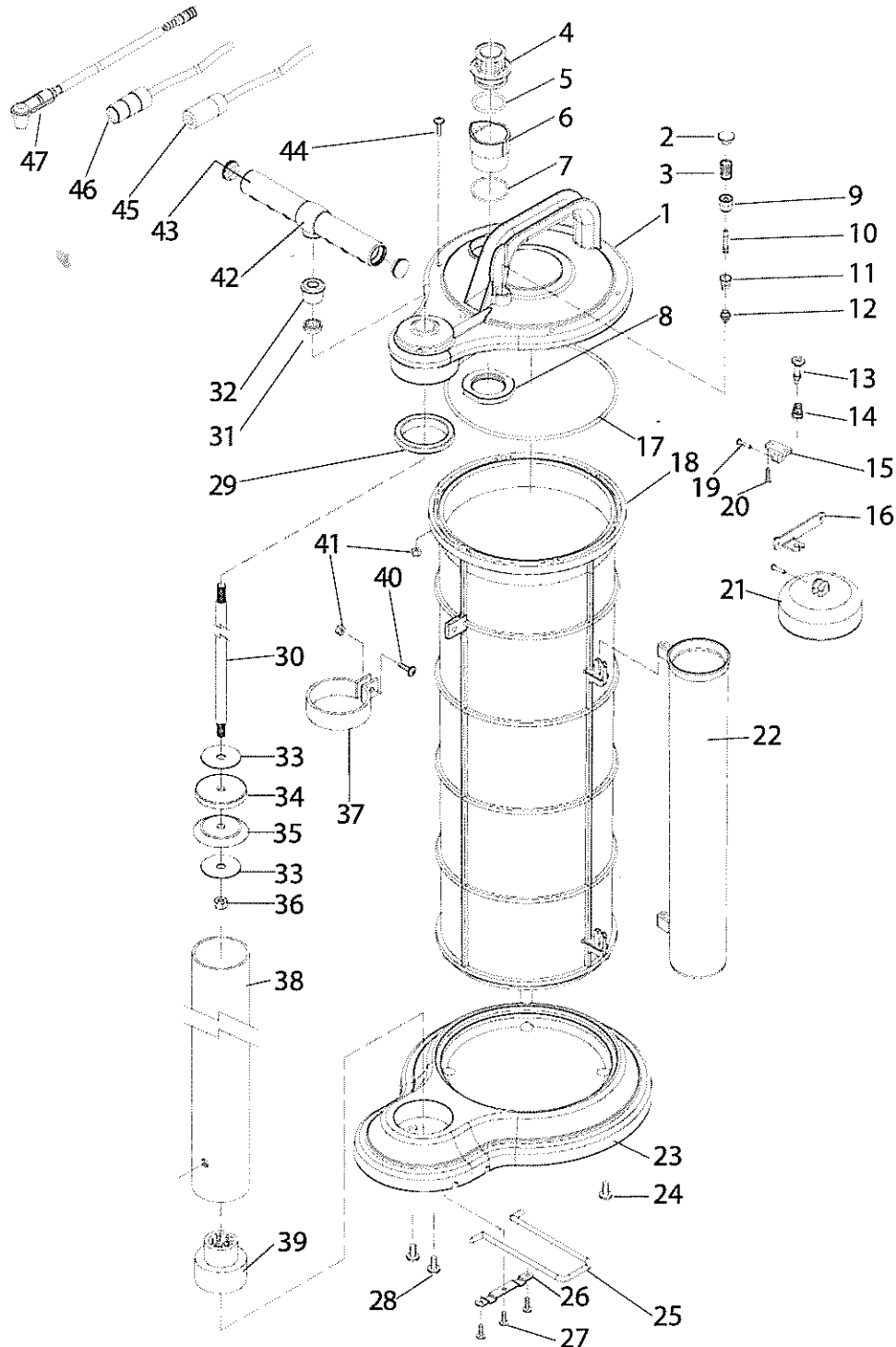
7342

Product Type:

**MANUAL FLUID
EXTRACTOR**

PARTS BREAKDOWN

Call 1.800.221.9705 for questions concerning performance of the product or other inquiries.





**Astro Pneumatic
Tool Company**

372 Old US Highway 52 South
Mount Airy, NC 27030

Model:

7342

Product Type:

**MANUAL FLUID
EXTRACTOR**

PART LIST

| Index | Part No. | Description | Q'ty |
|-------|-----------|------------------------|------|
| 1 | 7342 - 01 | Cover Housing | 1 |
| 2 | 7342 - 02 | Release Button | 1 |
| 3 | 7342 - 03 | Spring | 1 |
| 4 | 7342 - 04 | Fluid Inlet Coupler | 1 |
| 5 | 7342 - 05 | O Ring 25.2 x Ø 2.7mm | 1 |
| 6 | 7342 - 06 | Fluid Outlet Housing | 1 |
| 7 | 7342 - 07 | O Ring 31 x Ø 1.0mm | 1 |
| 8 | 7342 - 08 | Lock Nut | 1 |
| 9 | 7342 - 09 | Locking Bushing | 1 |
| 10 | 7342 - 10 | Shaft | 1 |
| 11 | 7342 - 11 | Spring | 1 |
| 12 | 7342 - 12 | Check Valve | 1 |
| 13 | 7342 - 13 | Safety Cup | 1 |
| 14 | 7342 - 14 | Spring | 1 |
| 15 | 7342 - 15 | Bracket Base | 1 |
| 16 | 7342 - 16 | Arm | 1 |
| 17 | 7342 - 17 | O Ring 154.3 x Ø 3.5mm | 1 |
| 18 | 7342 - 18 | Reservoir Tank | 1 |
| 19 | 7342 - 19 | Pin | 2 |
| 20 | 7342 - 20 | Screw Ø 3.8 x 10mm | 2 |
| 21 | 7342 - 21 | Float | 1 |
| 22 | 7342 - 22 | Tube Storage Unit | 1 |
| 23 | 7342 - 23 | Base | 1 |
| 24 | 7342 - 24 | Screw Ø 6x15mm | 4 |
| 25 | 7342 - 25 | Footboard | 1 |

| Index | Part No. | Description | Q'ty |
|-------|-----------|---------------------------------|------|
| 26 | 7342 - 26 | Fixed Strip | 1 |
| 27 | 7342 - 27 | Screw Ø 4 x 10mm | 3 |
| 28 | 7342 - 28 | Screw M8 x 16mm | 2 |
| 29 | 7342 - 29 | Ring Seal | 1 |
| 30 | 7342 - 30 | Shaft | 1 |
| 31 | 7342 - 31 | Oil Seal | 1 |
| 32 | 7342 - 32 | Holder | 1 |
| 33 | 7342 - 33 | Flat Washer | 2 |
| 34 | 7342 - 34 | Piston Spacer | 1 |
| 35 | 7342 - 35 | Piston | 1 |
| 36 | 7342 - 36 | Hex Nut M8 | 1 |
| 37 | 7342 - 37 | Holder | 1 |
| 38 | 7342 - 38 | Alum. Tube | 1 |
| 39 | 7342 - 39 | Alum. Tube Base | 1 |
| 40 | 7342 - 40 | Screw M5 x 16mm | 1 |
| 41 | 7342 - 41 | Nut M5 | 7 |
| 42 | 7342 - 42 | Handle | 1 |
| 43 | 7342 - 43 | Cap | 2 |
| 44 | 7342 - 44 | Screw M5 x 20MM | 6 |
| 45 | 7342 - 45 | Main Suction Tube W/ Adapter | 1 |
| 46 | 7342 - 46 | Extracting Tube W/ Adapter | 1 |
| 47 | 7342 - 47 | Brake Tube W/ Rubber Fitting | 1 |