



**Astro Pneumatic
Tool Company**

372 Old US Highway 52 South
Mount Airy, NC 27030

Model:

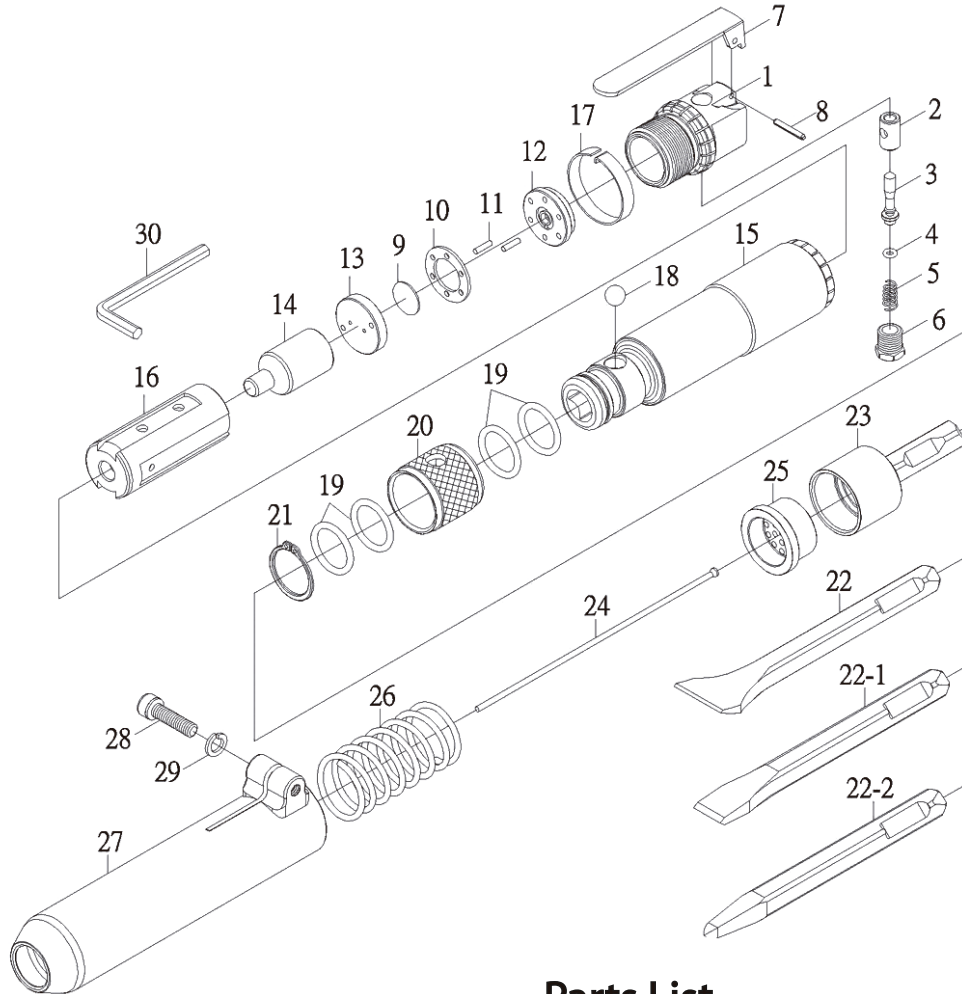
4350

Product Type:

**NEEDLE SCALER/FLUX HAMMER
COMBO - 4,400 BLOWS PER MINUTE**

Call 1.800.221.9705 for questions concerning performance of the product or other inquiries.

PARTS BREAKDOWN



Parts List

| Index No. | Part No. | Description | Qty |
|-----------|----------|--------------------------|-----|
| 1 | 4350-01 | Main Body | 1 |
| 2 | 4350-02 | Throttle Bushing | 1 |
| 3 | 4350-03 | Throttle Rod | 1 |
| 4 | 4350-04 | O-Ring (P4) | 1 |
| 5 | 4350-05 | Spring (8 x 16) | 1 |
| 6 | 4350-06 | Throttle Cap | 1 |
| 7 | 4350-07 | Throttle Lever | 1 |
| 8 | 4350-08 | Spring Roll Pin (3 x 22) | 1 |
| 9 | 4350-09 | Main Valve | 1 |
| 10 | 4350-10 | Valve Case | 1 |
| 11 | 4350-11 | Pin (2.8 x 11) | 2 |
| 12 | 4350-12 | Rear Plate | 1 |
| 13 | 4350-13 | Front Plate | 1 |
| 14 | 4350-14 | Piston | 1 |
| 15 | 4350-15 | Cylinder Body | 1 |
| 16 | 4350-16 | Piston Sleeve | 1 |

| Index No. | Part No. | Description | Qty |
|-----------|------------|---------------------------|-----|
| 17 | 4350-17 | Lock Ring | 1 |
| 18 | 4350-18 | Ball (SB-7/16) | 1 |
| 19 | 4350-19 | O-Ring (P24) | 4 |
| 20 | 4350-20 | Chisel Cover | 1 |
| 21 | 4350-21 | Snap Ring (STW30) | 1 |
| 22 | 4350-22 | Chisel-Bent 35mm | 1 |
| 22 | 4350-22-1* | Chisel-Flat 20mm | 1 |
| 22 | 4350-22-2* | Chisel-Point | 1 |
| 23 | 4350-23 | Needle Shank | 1 |
| 24 | 4350-24 | Needle | 19 |
| 25 | 4350-25 | Needle Flange | 1 |
| 26 | 4350-26 | Spring (38 x 83) | 1 |
| 27 | 4350-27 | Needle Cover | 1 |
| 28 | 4350-28 | Hex Socket Bolt (M8 x 20) | 1 |
| 29 | 4350-29 | Lock Washer (M8#2) | 1 |

Items with asterisk (*) are available for purchase only