



**Astro Pneumatic
Tool Company**
372 Old US Highway 52 South
Mount Airy, NC 27030

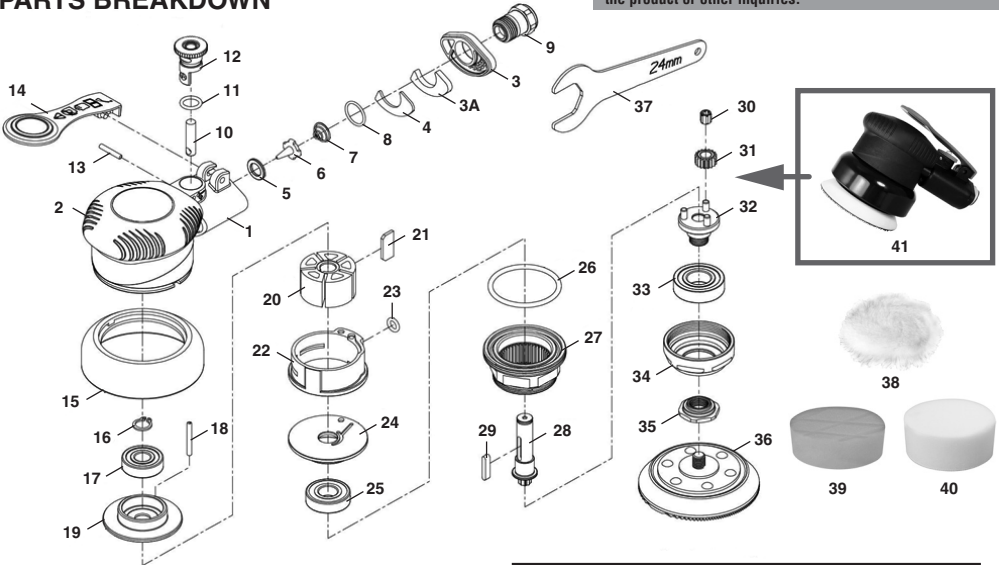
Model:

331

Product Type:
**3" 2500RPM GEARED
PALM POLISHER KIT**

Call 1.800.221.9705 for questions concerning performance of the product or other inquiries.

PARTS BREAKDOWN



Parts List

Index	Part No.	Description	Qty
1	322-01	Housing (inc.#2 Sleeve)	1
3	314-14	Silencer Cover	1
3A	314-13	Muffler	1
4	314-12	Brass Silencer	1
5	3022-11	Spacer	1
6	3022-12	Controller	1
7	3022-13	Spring	1
8	322-08	O-Ring	1
9	3014-10	Air Inlet	1
10	3022-07	Valve Stem	1
11	3022-04	O-Ring	1
12	3014-04	Regulator	1
13	3022-08	Pin	1
14	3014-13	Lever	1
15	330-15	Cover	1
16	3022-18	Retaining Ring	1
17	3022-19	Ball Bearing	1
18	3022-21	Pin	1
19	3022-20	Rear Plate	1
20	3022S-22	Rotor	5

Index	Part No.	Description	Qty
21	3022S-23	Rotor Blade	1
22	3022S-24	Cylinder	1
23	3022-25	O-Ring	1
24	3022-26	Front Plate	1
25	3022-27	Ball Bearing	1
26	3022-28	O-Ring	1
27	331-27	Motor Cover	1
28	331-29	Rotor Shaft	1
29	3022-41	Key	1
30	331-30	Needle Bearing	3
31	331-31	Gear	3
32	331-32	Gear Plate	1
33	331-33	Ball Bearing	1
34	331-34	Cover	1
35	331-38	Drive Spindle	1
36	330-38	3" Velcro Pad	1
37	3022-40	24mm Wrench	1
38	20303	3" Wool Buff Pad	1
39	4635	3" Yellow Pad	1
40	20306W	3" Foam Pad White	1
41	331T	Tool Only	1