



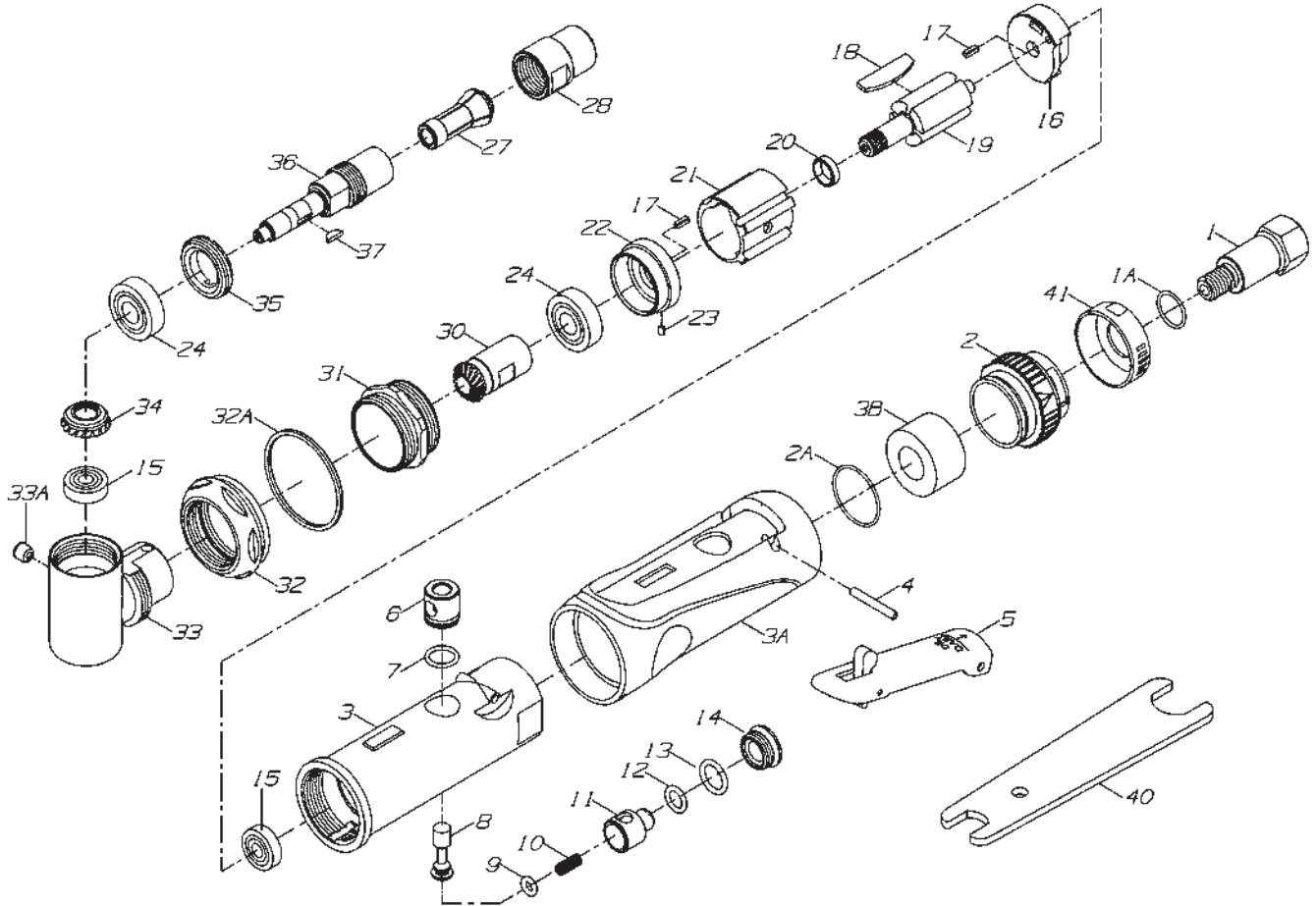
**Astro Pneumatic  
Tool Company**  
372 Old US Highway 52 South  
Mount Airy, NC 27030

Model:  
**204**

Product Type:  
**COMPOSITE BODY 1/4" 90° ANGLE  
DIE GRINDER - 20,000RPM -  
REAR EXHAUST**

## PARTS BREAKDOWN

Call 1.800.221.9705 for questions concerning performance of the product or other inquiries.



### Parts List

Index	Part No.	Description	Qty	Index	Part No.	Description	Qty	Index	Part No.	Description	Qty
1	204-01	Inlet Bushing	1	11	T20AH-A04	Air Regulator	1	27	T210-A04	1/4" Collet	1
1A	T210-A26P	O-Ring	1	12	T20AH-A05	O-Ring	1	28	T20AH-A30	Collet Nut	1
2	204-02	Exhaust Deflector	1	13	T20AH-A06	O-Ring	1	30	T20AH-A19	Bevel Gear	1
2A	204-02A	O-Ring	1	14	T20AH-A07	Valve Screw	1	31	T20AH-A20	Cap Lock	1
3	204-03	Motor Housing	1	15	204-15	Ball Bearing	1	32	204-32	Threaded Cap	1
3A	204-03A	Housing Sleeve	1	16	204-16	Rear End Plate	1	32A	204-32A	Ring	1
3B	204-03B	Muffler	1	17	T210-A11	Pin	2	33	204-33	Angle Housing	1
4	T210-A28	Pin	1	18	T20AH-A16	Rotor Blade	4	33A	204-33A	Ball Cap	1
5	204-05	Safety Lever	1	19	204-19	Rotor	1	34	T20AH-A24	Bevel Gear	1
6	T20AH-A31	Valve Bushing	1	20	T20AH-A13	Bearing Spacer	1	35	T20AH-A28	Clamp Nut	1
7	T20AH-A31P	O-Ring	1	21	T20AH-A14	Cylinder	1	36	T20AH-A27	Spindle	1
8	204-08	Throttle Valve	1	22	204-22	Front End Plate	1	37	T20AH-A26	Key	1
9	T20AH-A32	O-Ring	1	23	T210-A11P	Pin	1	40	204-40	Double Ended Spanner	2
10	T20AH-A03	Spring	1	24	T20AH-A18	Ball Bearing	2				