



Model # 557012

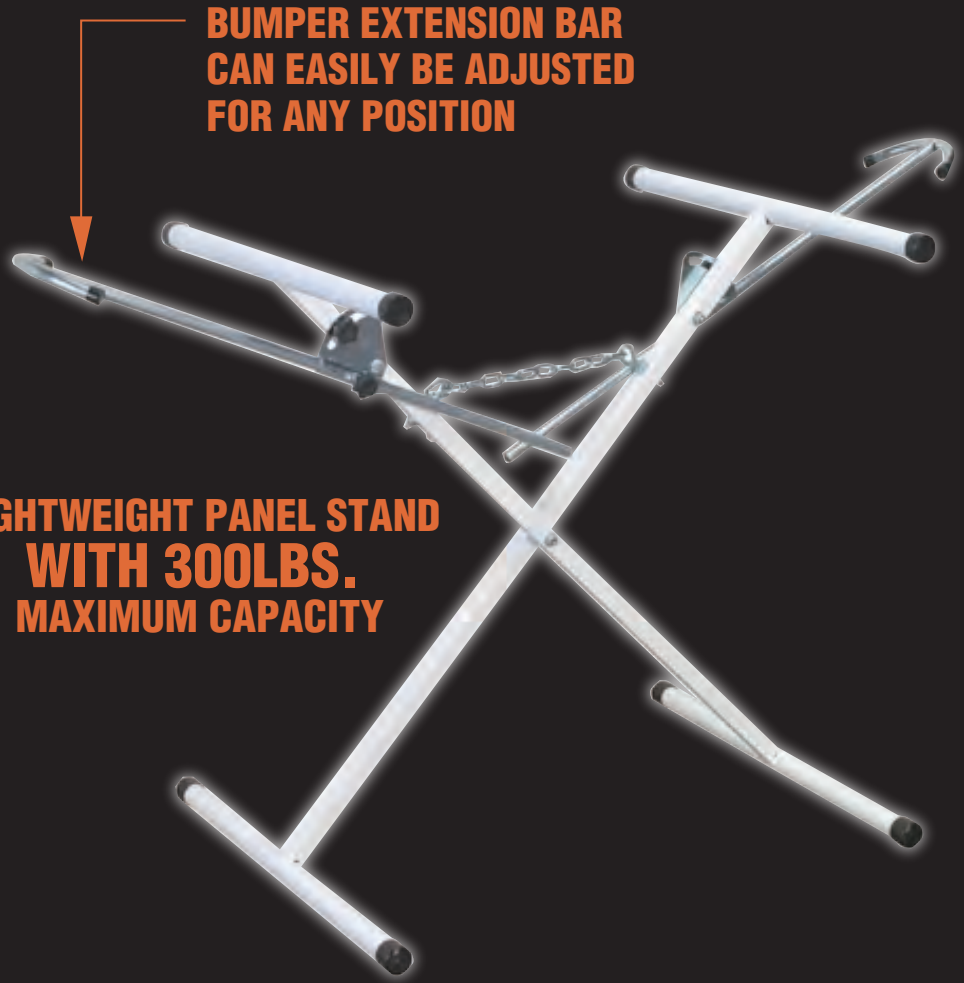
PANEL STAND

SALES AND MARKETING

2417 SEAMAN AVENUE
SOUTH EL MONTE, CA 91733
Phone: (800) 221-9705
USA Toll Free
Fax: (877) 318-2194
Phone: (626) 228-3170
Fax: (626) 228-3124

WAREHOUSE AND OPERATIONS

372 OLD US HIGHWAY
52 SOUTH
MT. AIRY, NC 27030
(800) 221-9705
Phone: (336) 786-6432
Fax: (336) 786-4992



Model	Maximum Capacity	Adjustable Height	Stand Dimensions in Completely Folded Position	Weight
557012	300lbs	34.5" to 47" tall	14.0" wide x 49.6" high	18.7lbs
Stand Dimensions in Adjustable Operating Position			Steel tubing construction with diameter of	
Max. Height: 64.5" depth, 64.5" high x 32.5" wide Min. Height: 45.3" depth, 45.3" high x 65.3" wide			1.25" (32mm) round tubing 1.18" (30mm) square tubing	

**GREAT FOR WORKING ON BUMPERS
AND OTHER AUTOMOTIVE PARTS**



Astro

E-mail : astrotools@astrotools.com
WEBSITE : www.astrotools.com



PAINT & BODY

SHOP EQUIPMENT UNDERCAR KIT HYDRAULICS AIR TOOLS

