



Model: **50SLMAX**

Product Type:  
**SUNLIGHT 500 LUMEN RECHARGEABLE HANDHELD  
DUAL TEMPERATURE COLOR MATCH LIGHT**



## WARNING



Study, understand and follow all instructions provided with this product. Read these instructions carefully before installing, operating, servicing or repairing this tool. Keep these instructions in a safe accessible place.

### INTENDED USE OF THE TOOL

This color match light is designed for collision repair, detailing, paint correction and paint booths. Do not use this tool outside of the designed intent. Never modify the tool for any other purpose or use.



## WARNING



### Caution: To help prevent personal injury

- Use of this product can expose you to chemicals including ethylene glycol, gasoline vapors and engine exhaust, which are known to the State of California to cause cancer, birth defects, or reproductive harm. For more information, visit [www.P65Warnings.ca.gov](http://www.P65Warnings.ca.gov). Always wear ANSI approved safety equipment, safety glasses and clothing when using this product. Study, understand, and follow all instructions provided with this product. Failure to read and follow all warnings and operating instructions may result in damages and serious injury or death.
- Always wear ANSI approved goggles when using this product. (Users and Bystanders).
- Never use this tool for any application other than for which it was designed.
- Only use accessories designed for this tool.
- Never alter or modify this tool in any way.
- Improper operation and/or maintenance of the tool, modification of the tool, or use of the tool with accessories not designed for it could result in serious injury or death.
- Always select the correct accessories of the correct size and design for the job that you are attempting to perform.
- Always work in a clean, safe, well-lit, organized and adequately equipped area.
- Do not begin repairs without assurance that vehicle is in secure position, and will not move during repair.

### SUNLIGHT 500 LUMEN RECHARGEABLE HANDHELD DUAL TEMPERATURE COLOR MATCH LIGHT



MADE IN CHINA



**Astro Pneumatic  
Tool Company**

[www.astrotools.com](http://www.astrotools.com)

### 1 YEAR LIMITED WARRANTY

- Astro Pneumatic Tool Co. warrants our products to the original user against defective material or workmanship for a period of 1 year (except where noted on our price schedule) from the date of 1st use. Astro reserves the right to determine whether the product failed because of defective material, workmanship or other causes and to charge back for missing parts. Astro Pneumatic Tool Co., at its discretion, will repair products covered under this warranty free of charge. The distributor should direct the original user to return the product (with the exceptions listed below) with the distributor's name, address, adequate proof of date of purchase or a copy of warranty card, and a short note explaining the problem. **Failures caused by accident, alteration, or misuse are not covered by this warranty.**
- Astro Pneumatic Tool Co. or its authorized service representatives must perform all warranty repairs. Any repair to the product by unauthorized service representatives voids this warranty. The rights under this warranty are limited to the original user and may not be transferred to subsequent owners.
- This warranty is in lieu of all other warranties, expressed or implied, including warranties of merchantability and fitness for a particular purpose. Some states do not allow the exclusion of limitations of incidental or consequential damages so the above limitations may not apply to you.



**PLEASE DO NOT RETURN ANY PRODUCT WITHOUT CALLING  
1-800-221-9705 FOR INSTRUCTIONS**



### Before Use

**Before use, check the parts diagram and part number listing on page 2 to make sure all parts are included. If any parts are missing or damaged, please call your distributor.**

### PRODUCT INFORMATION:

- Dual color temperatures, quickly switch from warm to cool ultra-high quality color matching light
- Impact resistant, IP65 water and dust proof, and easily removable and cleanable lens
- Collapsible 360-degree rotating hook and 180 degree folding magnetic base

### SPECIFICATIONS:

Color Temperature :	4500K/6000K
Water Proof :	IP65
Light Output :	250/500 Lumens
Battery Life :	2~4 hrs
Charge time :	4 hrs
Li-ion Rechargeable :	3.7V/2600 mAh
Weight :	0.675 lbs
Dimensions :	2.25"x1.4"x7.4"
Temperature :	-10°C to +40°C

**DO NOT DISCARD – GIVE TO USER**



Model: **50SLMAX**

Product Type:  
**SUNLIGHT 500 LUMEN RECHARGEABLE HANDHELD  
DUAL TEMPERATURE COLOR MATCH LIGHT**



## WARNING



A light not marked for outdoor use is to be used for indoors only. Risk of electrical shock. Not for use near gas, combustible or explosive materials. Misuse can lead to FIRE or DEATH by electrical shock. Please read carefully and follow all directions before using.

- Keep children away.
- Don't use in or around tubs, showers, sinks, pools, hot tubs, or in a wet environment.
- Don't operate light with wet hands.
- Don't use near open flames or hot objects.
- Fully insert plug into power source (100 - 240 V).
- Grasp plug, not cord, to remove from outlet.
- Don't use a damaged cord set.
- Inspect light periodically.
- Don't disassemble, repair or modify the light.
- Don't look directly into the light beam, because it may blind.

## USING INSTRUCTIONS

The ON/OFF switch is located on the back of the handle :

- Press 1x high light mode (500 Lumen)  
(after 5 minutes automatically switch to low light mode)
- Press 2x low light mode (250 Lumen)
- Press 3x off
- Hold down for 2 seconds to switch between 6000K and 4500K color temperatures.

## CHARGING PROCESS

- Before first use, the lamp should be fully charged. The lamp should also be fully charged before being stored for a long period of time.
- To charge the lamp, put the lamp into charging base and insert the USB cable connection with AC / DC power supply. Then connect the AC / DC power supply to main socket.
- The battery should only be charged with the charger supplied by the manufacturer. To avoid damage, please do not use another chargers. When not in use, the charging cable must be unplugged from the outlet. Keep the lamp in a dry place away from direct sunlight. The lamp must be protected against high humidity and water.
- Charging indication via coloured LEDs:
  - Battery is charging: The blue LED indicators blink
  - Battery is fully charged: The five LED indicators turn full blue



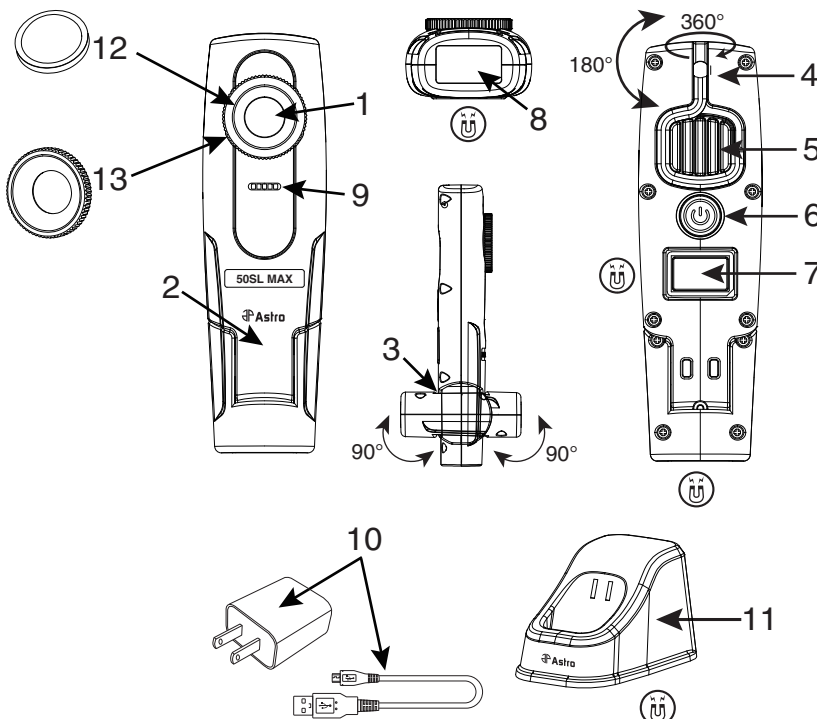
Waste electrical products should not be disposed of together with household waste. Please recycle where facilities exist.

Check with your local authority or retailer for recycling advice.

- The battery can not be replaced
- The battery must be removed from the appliance before it is scrapped
- The appliance must be disconnected from the supply mains when removing the battery
- The battery is to be disposed of safely

## PARTS BREAKDOWN

Call 1.800.221.9705 for questions concerning performance of the product or other inquiries.



## Parts List

Index	Part No.	Description	Qty
01	50SLMAX-01	Double Color COB LED	1
02	50SLMAX-02	Plastic housing	1
03	50SLMAX-03	180° rotatable, lockable lamp handle for a flexible light alignment	1
04	50SL-04	360° rotatable and foldable hook	1
05	50SL-05	Metal heat sink	1
06	50SL-06	On and Off switch	1
07	50SL-07	Magnet on the rear of the housing	1
08	50SL-08	Magnet on base	1
09	50SL-09	Charging / battery indicator	1
10	50SL-10	USB cable with AC / DC mains power supply (100 V-240 V)	1
11	50SL-11	Charging base	1
12	50SL-12	Lens	1
13	50SL-13	Metal lamp reflector	1