



Model # 82ULB

**UNDERHOOD
LIGHT BAR**

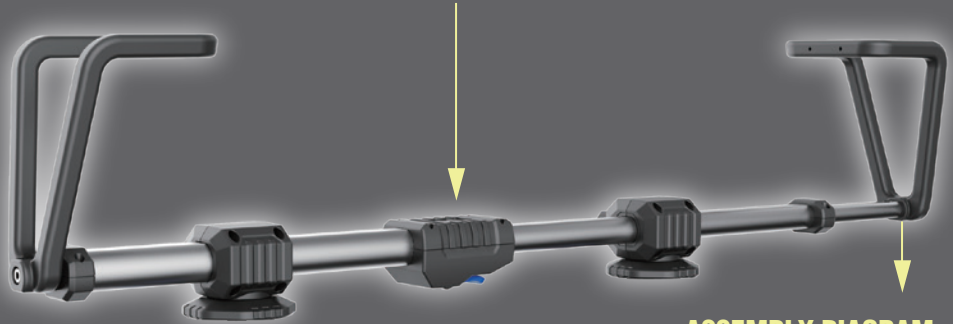
SALES AND MARKETING

1230 Santa Anita Avenue, Suite E
South El Monte, CA 91733
Phone: (800) 221-9705
USA Toll Free
Fax: (877) 318-2194
Phone: (626) 228-3170
Fax: (626) 228-3124

372 Old US Highway
52 South
Mount Airy, NC 27030



INCLUDES OPTIONAL POUCH FOR RECHARGEABLE POWER-BANKS, STRAP TO CENTER BRACKET TO RUN POWER TO AND EXTEND THE WORKTIME OF YOUR LIGHTS (LIGHTS AND POWER-BANK NOT INCLUDED)



ASSEMBLY DIAGRAM

ALUMINUM 33.5" TO 82.5" EXPANDABLE UNDERHOOD BAR WITH ADJUSTABLE MOUNTS FOR WORK LIGHTS AND CORDLESS POWER-BANK STORAGE



Model	Product Weight	Collapsed Size	Expanded Size
82ULB	3lbs	33.5 x 3 x 5	82.5 x 3 x 5

SELF-TENSIONING HOOD HOOK ENDS, QUICK ADJUST AND LOCKING LEVER CENTER BRACKET, AND TWO PUSH BUTTON ADJUST, LOCK AND ROTATE MOUNTING PADS FOR MAGNETIC WORK LIGHTS

**Astro Pneumatic
Tool Company**

E-mail : astrotools@astrotools.com
WEBSITE : www.astrotools.com



SHOP EQUIPMENT

UNDERCAR KIT HYDRAULICS HAND TOOLS AIR TOOLS

